

4

3

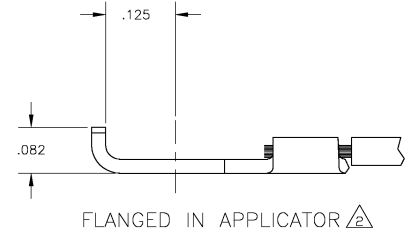
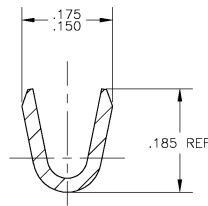
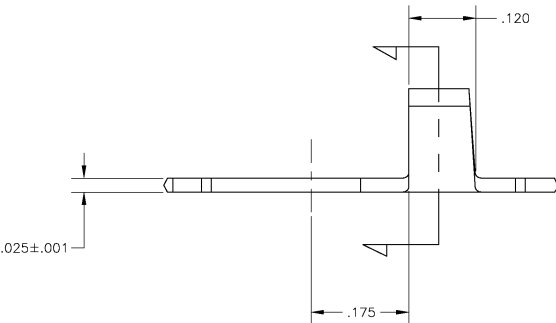
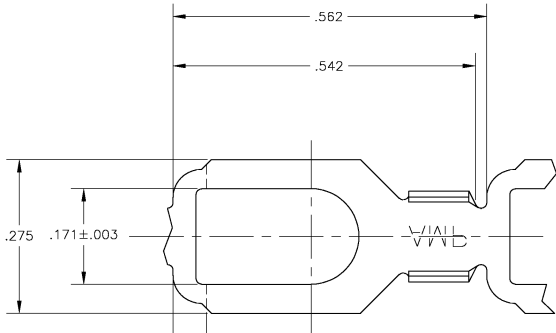
2

1

THIS DRAWING IS UNPUBLISHED. RELEASED FOR PUBLICATION  
 © COPYRIGHT BY TYCO ELECTRONICS CORPORATION. ALL RIGHTS RESERVED.

| LOC | DIST | REVISIONS                      |         |    |       |
|-----|------|--------------------------------|---------|----|-------|
| P   | LTR  | DESCRIPTION                    | DATE    | BY | APP'D |
| AF  | 50   |                                |         |    |       |
| H   |      | REV & REDRAWN PER 063A-0200-02 | 02APR03 | MF | DD    |

- FOR NEW APPLICATIONS SEE PREFERRED MODERNIZED DESIGN 42320 GROUP AND 42321 GROUP.
- △ SUFFIX LETTER MUST BE USED ONLY WHEN ORDERING APPLICATOR TOOLING.
- CONTINUOUS STRIP ON REELS.



|         |                     |                        |
|---------|---------------------|------------------------|
| 40705 A | 18-14 AWG           | 40705                  |
| △       | FLANGED PART NUMBER | WIRE RANGE PART NUMBER |

|   |   |  |                             |   |                  |
|---|---|--|-----------------------------|---|------------------|
| THIS DRAWING IS A CONTROLLED DOCUMENT.  |   | DWG: MICHAEL S. FEHLER<br>CK: DONALD F. DECKER<br>PPG: DONALD F. DECKER<br>PROJECT SPEC: |                             | Tyco Electronics Corporation<br>Harrisburg, PA 17105-3608<br>#8 STUD, TERMINAL, SPADE |                  |
| DIMENSIONS:<br>INCHES<br>0 PLG ± .001<br>1 PLG ± .001<br>2 PLG ± .001<br>3 PLG ± .010<br>4 PLG ± .010<br>ANGLES ± .5° | TO CHANGE UNLESS OTHERWISE SPECIFIED:<br>0 PLG ± .001<br>1 PLG ± .001<br>2 PLG ± .001<br>3 PLG ± .010<br>4 PLG ± .010<br>ANGLES ± .5° | APPLICATION SPEC: —<br>WEIGHT: —   | MTL: 0B2 BRASS<br>FINISH: — | SIZE: A2<br>CASE CODE: 00779<br>DRAWING NO: 40705                                     | RESTRICTED TO: — |
| MATERIAL: 0B2 BRASS   |   | FINISH: —  |                             | CUSTOMER DRAWING<br>SCALE: 8:1 SHEET 1 OF 1 REV H                                     |                  |

AMP 1421-9 REV 31MAY2000

H.L.

40705

A