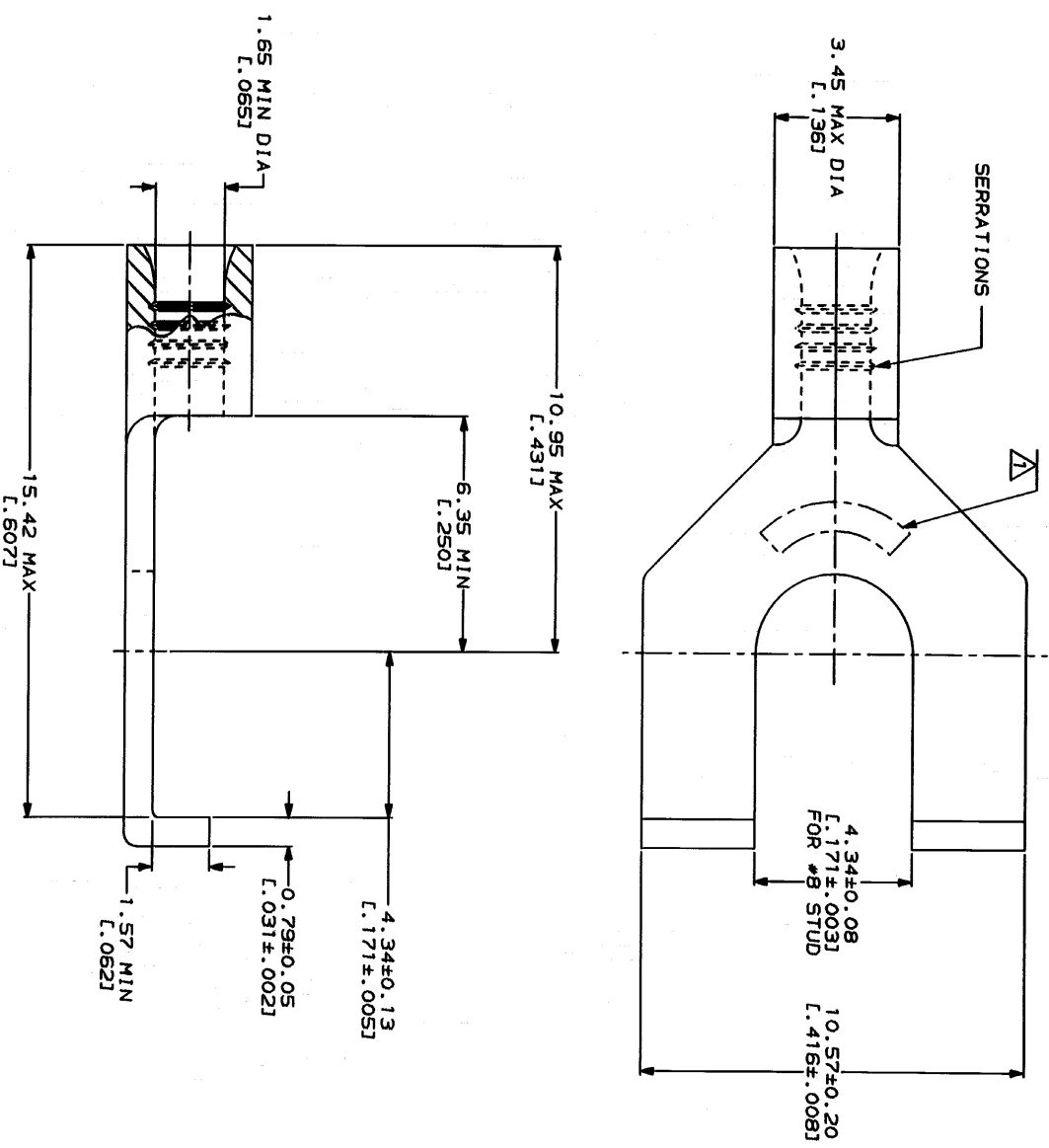




AMP WIRE RANGE	IL E13288 Listed
22-16 AWG STRANDED	22-16 AWG STRANDED
LR7189 Certified	MILITARY P/N AND CLASS
NOT CERTIFIED	NOT APPLICABLE

△ STAMP AMP 22-18* APPROX AS SHOWN
22-16 TERMINALS ARE STAMPED 22-18 IN
ACCORDANCE WITH MILITARY SPECIFICATION
MIL-T-7928, COMMERCIAL WIRE RANGE IS 22-16



AMP INCORPORATED
CUSTOMER SERVICE SYSTEMS

FOR ADDITIONAL PRODUCT INFORMATION OR COPIES OF DRAWINGS AND TECHNICAL DOCUMENTS
FOR APPLICATION TOOLING INFORMATION
FOR ORDER ENTRY

PRODUCT INFORMATION CENTER
1-800-522-6752

TOOLING ASSISTANCE CENTER
1-800-722-1111

1-800-526-5142

MAX RECOMMENDED OPERATING TEMPERATURE: 170°C MAX

VOLTAGE RATING: NOT APPLICABLE

WIRE CROSS SECTIONAL AREA RANGE: 0.26-1.65mm² (S09-3,260) CIR HILLS STRANDED

DO NOT SCALE PRINT.
UNLESS SPECIFIED OTHERWISE—
1 DIMENSIONS IN mm
2 P.L.C. DEC ± .1
3 ANGLES
4 MATERIAL
5 FINISH
6 THK PER MIL-T-10727

TIN PLATE
0.0025(41.000100) MIN

DR 3-2-93	IA BRINKMAN
CHK 3-2-93	DA PATTERSON
APPD 3-2-93	DE MILLER
APPD 3-2-93	J. WICKLEY
PRODUCT SPEC	
APPLICATION SPEC	
WEIGHT	

AMP
AMP Incorporated
Horshurst, PA 17105-3508

TERMINAL, FLANGED SPADE, BUDGET

SIZE CASE CODE 00779
DRAWING NO 32494

SCALE 10:1

PART NO 32494

SHEET 1 OF 1

CUSTOMER DRAWING