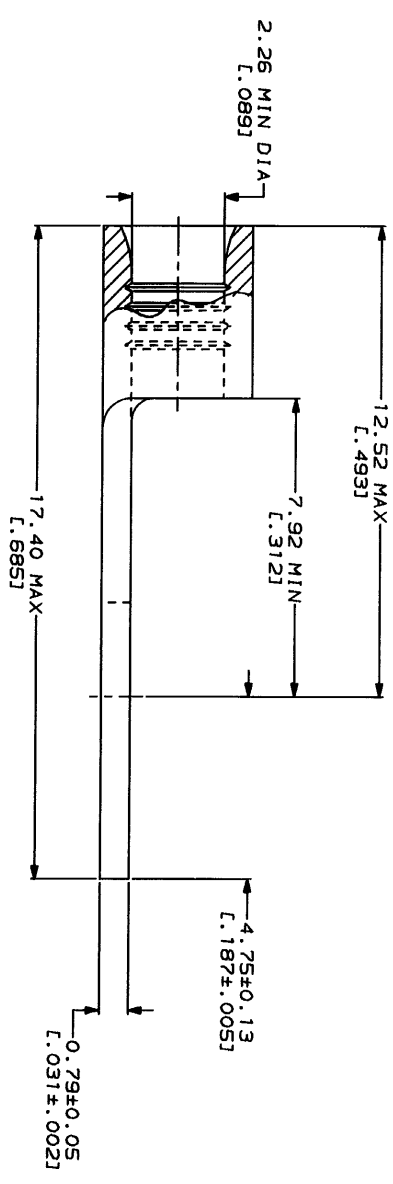


AMP WIRE RANGE 16-14 AWG STRANDED	UL E13288 Listed 16-14 AWG STRANDED
LR7189 Certified	MILITARY P/N AND CLASS
NOT CERTIFIED	NOT APPLICABLE

△ STAMP AMP 16-14\* APPROX AS SHOWN



AMP INCORPORATED  
CUSTOMER SERVICE SYSTEMS

FOR ADDITIONAL  
PRODUCT INFORMATION OR  
COPIES OF DRAWINGS  
AND TECHNICAL DOCUMENTS

FOR APPLICATION  
TOOLING INFORMATION  
FOR ORDER ENTRY

MAX RECOMMENDED OPERATING  
TEMPERATURE:  
170°C MAX

VOLTAGE RATING:  
NOT APPLICABLE

WIRE CROSS SECTIONAL AREA RANGE:  
1.04-2.62mm<sup>2</sup> [2.050-5.180] CIR HILS  
STRANDED

DO NOT SCALE PRINT.  
ALL DIMENSIONS LISTED  
TOLERANCES ON:  
2 PLG DEC ± .  
3 ANGLES ± .

MATERIAL  
COPPER PER  
ASTM B-152  
ANNEALED

FINISH  
TIN PLATE  
0.00254 [L.000100] MIN  
THK PER MIL-T-10727

DR 2-17-93 JA BRINKMAN
CHK 2-17-93 DA PATTERSON
APPD 2-17-93 DE MILLER
APPD 2-17-93 JL HECKLEY
PRODUCT SPEC

AMP  
AMP Incorporated  
Harrisburg, PA 17105-3608

TERMINAL, SPADE TONGUE,  
BUDGET

SIZE CAGE CODE DRAWING NO  
00779 C-31706  
SCALE 10:1 SHEET 1 OF 1

31705  
PART NO

31706