

4

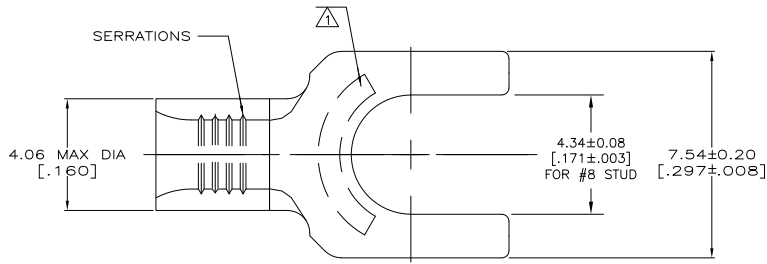
3

2

1

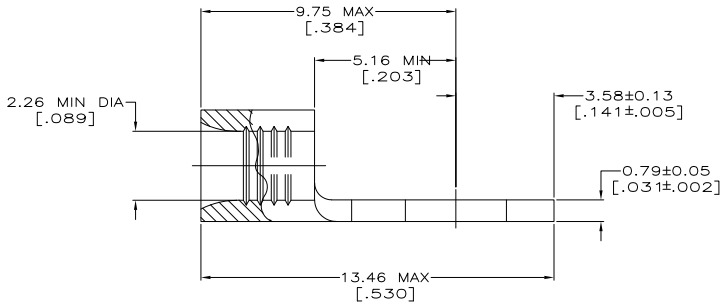
THIS DRAWING IS UNPUBLISHED. RELEASED FOR PUBLICATION
 © COPYRIGHT BY TYCO ELECTRONICS CORPORATION. ALL INTERNATIONAL RIGHTS RESERVED.

| LOC | DIST | REVISIONS | | DWP | DATE | BY | APP'D |
|-----|------|-----------|-----------------|-----------|---------|----|-------|
| G | 14 | P | LR | | | | |
| | | C1 | REVISED PER ECR | D9-023200 | 27OCT09 | JR | TM |



| | | |
|--------------------------|-----------------------|---------------------|
| AMP WIRE RANGE | Listed FILE E13288 | LR7189 Certified |
| 16-14 AWG STRANDED | 16-14 AWG STRANDED | NOT CERTIFIED |

- 1 STAMP AMP 16-14*, APPROX AS SHOWN
- 2 COPPER PER ASTM B-152, ANNEALED
- 3 0.00254 [.000100] MIN TIN PER ASTM B-545



35116
PART NUMBER

| | | | | | | | |
|--|--|---|--|--|---|---|-----------|
| CUSTOMER SERVICE SYSTEMS | | MAX RECOMMENDED OPERATING TEMPERATURE: 170°C MAX | THIS DRAWING IS A CONTROLLED DOCUMENT. | | DR. J.A. BRINKMAN 1-28-93 OK. J.A. PATTERSON 1-28-93 | Tyco Electronics Corporation Harrisburg, PA 17105-3608 | |
| FOR ADDITIONAL PRODUCT INFORMATION OR COPIES OF DRAWINGS AND TECHNICAL DOCUMENTS | PRODUCT INFORMATION CENTER 1-800-522-6752 | VOLTAGE RATING: N/A | DIMENSIONS: MM (INCHES) | TOLERANCES UNLESS OTHERWISE SPECIFIED: | APPC. J.L. MECKLEY 1-28-93 | TERMINAL, SPADE TONGUE, BUDGET | |
| FOR APPLICATION | TOOLING ASSISTANCE CENTER 1-800-722-1111 | CIRCULAR MIL AREA: 1.04-2.62mm ² [2.050-5.180] STRANDED | 0 PLC ± .005 1 PLC ± .005 2 PLC ± .005 3 PLC ± .005 4 PLC ± .005 | 0.20 (0.008) | APPLICATION SPEC | SIZE | CAGE CODE |
| TOOLING INFORMATION | 1-800-722-1111 | | MATERIAL | FINISH | WEIGHT | A2 | 00779 |
| FOR ORDER ENTRY | 1-800-526-5142 | THIS DRAWING IS A CONTROLLED DOCUMENT FOR AMP PRODUCTS. IT IS SUBJECT TO CHANGE AND THE CONTROLLING ENGINEERING ORGANIZATION SHOULD BE CONTACTED FOR THE LATEST REVISION. | | | | C= | 35116 |
| | | | | | CUSTOMER DRAWING | SCALE | 10:1 |
| | | | | | | SHEET | 1 of 1 |
| | | | | | | REV | C1 |

1471-9 (1/08)

35116

A