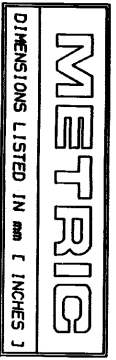
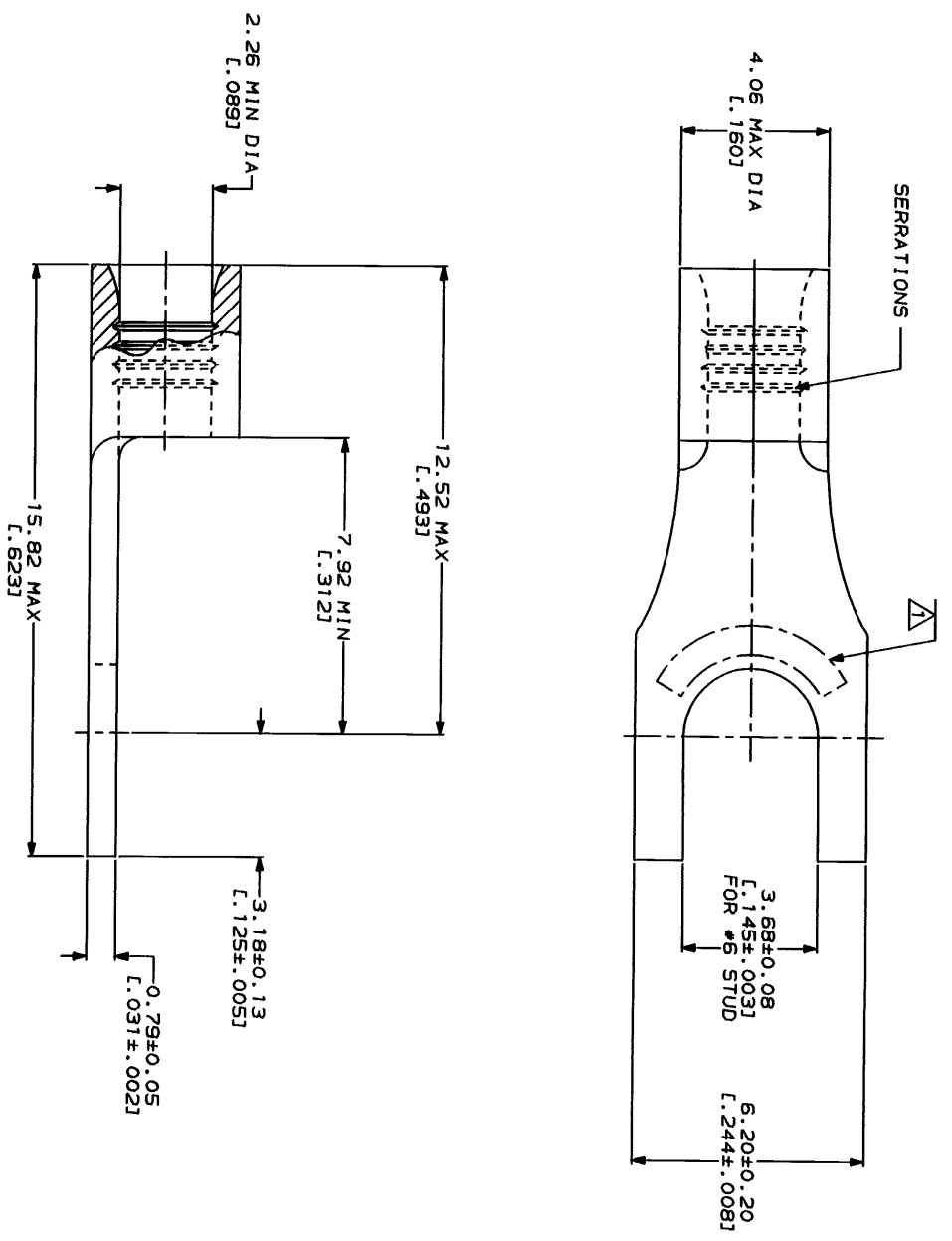


LOC	QTY	REV	DATE	APP
G	14	B	07/20/93	



AMP WIRE RANGE 16-14 AWG STRAINED	IL Listed 16-14 AWG STRAINED	E13288
LR7189 Certified	MILITARY P/N AND CLASS	NOT APPLICABLE
NOT CERTIFIED		

△ STAMP AMP 16-14* APPROX AS SHOWN



AMP INCORPORATED
 CUSTOMER SERVICE SYSTEMS

FOR ADDITIONAL
 PRODUCT INFORMATION OR
 COPIES OF DRAWINGS
 AND TECHNICAL DOCUMENTS
 FOR APPLICATION
 TOOLING INFORMATION
 FOR ORDER ENTRY

PRODUCT INFORMATION CENTER
 1-800-522-6752

TOOLING ASSISTANCE CENTER
 1-800-722-1111

1-800-526-5142

MAX RECOMMENDED OPERATING
 TEMPERATURE:
 170°C MAX

VOLTAGE RATING:
 NOT APPLICABLE

WIRE CROSS SECTIONAL AREA RANGE:
 1.04-2.62mm² (2.050-5.180) CIR MILS
 STRANDED

DO NOT SCALE PRINT.
 UNLESS SPECIFIED
 DIMENSIONS IN - HIGHEST
 TOLERANCES ON -
 2 PL DEC ±
 3 PL DEC ±
 ANGLES

MATERIAL
 COPPER PER
 ASTM B-152
 ANNEALED

FINISH
 TIN PLATE
 0.00254(.000100) MIN
 THK PER MIL-T-10727

DR 2-17-89 T.A. BRINKMAN	NAME	AMP
CHK 2-17-89 DA PATTERSON	AMP Incorporated Harrisburg, PA 17105-3606	
APPD 2-17-89 DE MILLER	TERMINAL, SPADE TONGUE, BUDGET	
APPD 2-17-89 JL HECKLEY		
PRODUCT SPEC		
APPLICATION SPEC		
WEIGHT	SIZE	CAGE CODE
	00779	33221
	SCALE 10:1	DRAWING NO
		33221
		SHEET
		1 OF 1

CUSTOMER DRAWING