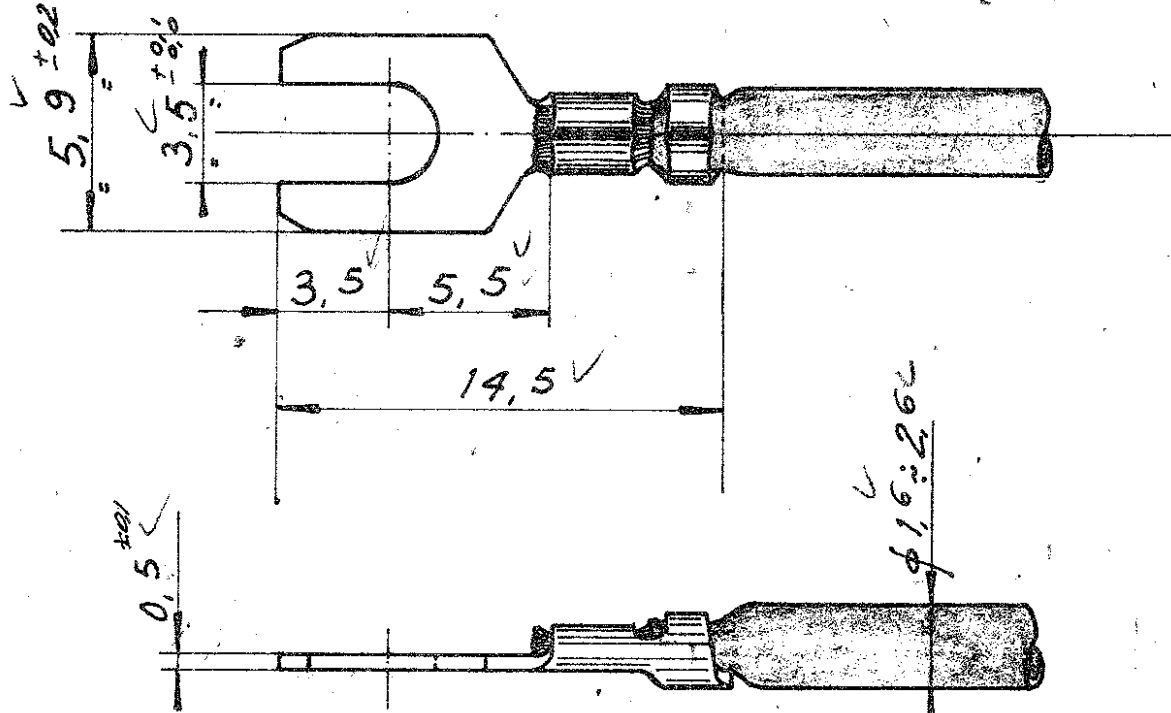


NUMBER

C-280041



DIMENSIONS IN INCHES. DO NOT SCALE PRINT

280041-2 OTTONE STAGNATO

© 1968 BY AMP INCORPORATED ALL RIGHTS RESERVED. AMP PRODUCTS COVERED BY PATENTS AND/OR PATENTS PENDING.

CUSTOMER COPY REFERENCE ONLY

MATERIAL AND FINISH
VEDI TABELLA



AMP - ITALIA
CORSO PEGHERA 209/6
TORINO - ITALIA

F Revised ET00-0067-01 G.S. 09/03/01
B RIVISTO PER ECN I-257 VP 27-5-91

A PW. WAS I.A.B. 5130 VP 24/10/88

WIRE RANGE INSULATION
0.3-0.8 mm² / N

CLASS A.M.
TYPE SPADE TONGUE

LTR DE
VOLPATO R. 10.12.'88

TOLERANCE EXCEPT AS NOTED ± 0.1 ± 10 μ
SCALE 4:1
LOC A NO C-280041 REV F

CHK DE
AMP

NAME TERMINALE A FORCELLA - (CON TOPPORTO ISOLANTE)