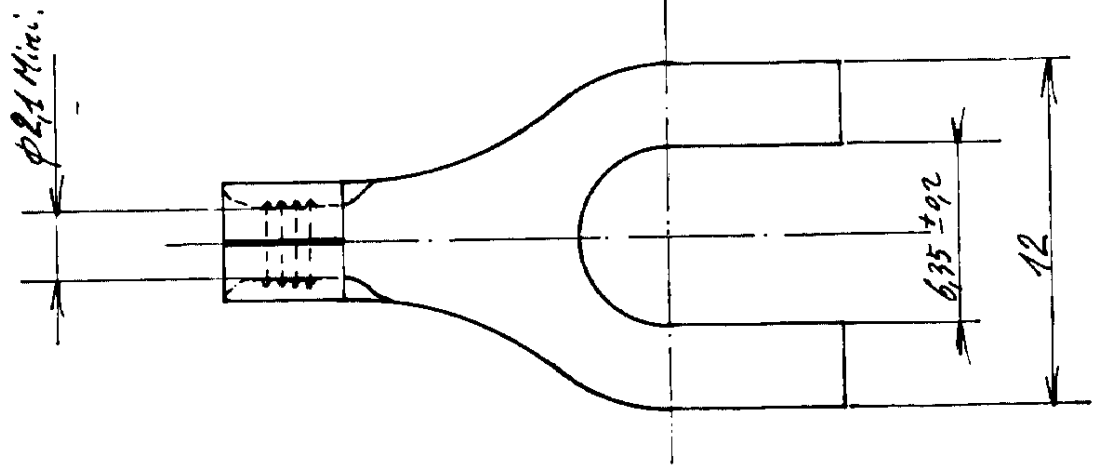
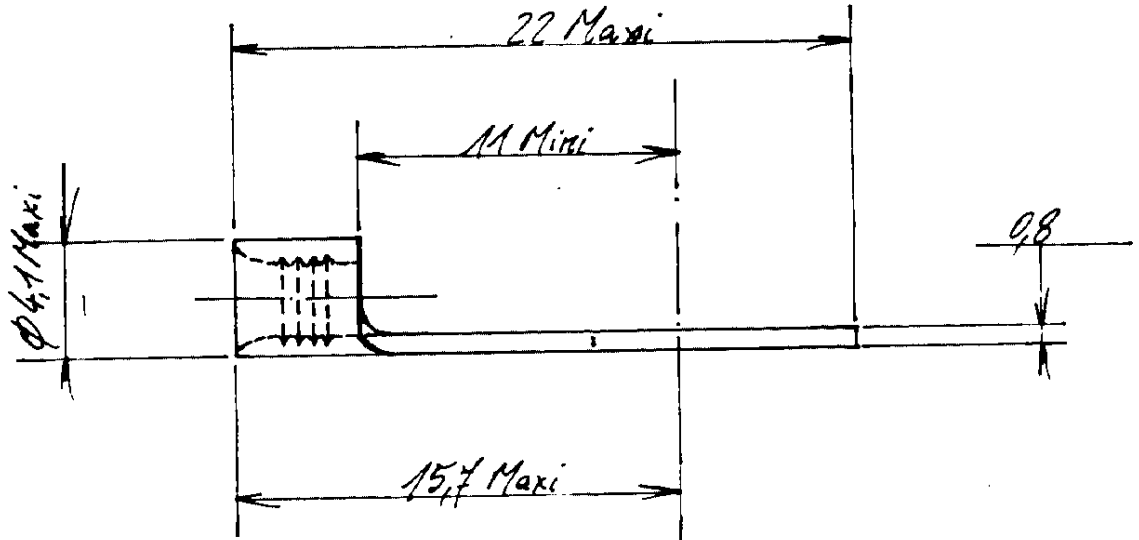


C-130539



|                                              |                                            |
|----------------------------------------------|--------------------------------------------|
| DESIGN CLIENT<br>EQUIPEMENT - OUR REFERENCES |                                            |
| Cuivre.<br>Etame'                            | <b>AMP</b><br>AMP DE FRANCE - 95 PAINTEUSE |
| 1022,64mm                                    | SOLISTRAND                                 |
| 9 X 173                                      | F A C-130539 10                            |
| COSSE A FOURCHE                              |                                            |

5.8.78 G. Hillier 9 X 173