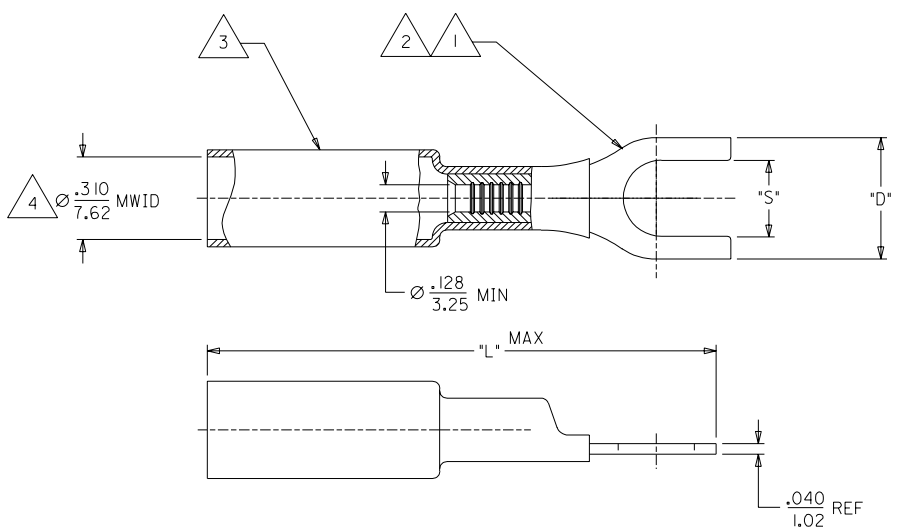


MATERIAL NUMBER	ENGINEERING NUMBER	STUD SIZE	SLOT "S" $\pm 0.10$ $\pm 0.25$	"D" MAX	"L" MAX
191640069	SC-241-06	#6	.146/3.71	.39/9.9	1.39/35.3
191640070	SC-241-08	#8	.173/4.39	.39/9.9	1.39/35.3
191640072	SC-268-10	#10	.198/5.03	.54/13.7	1.57/39.9
191640073	SC-268-14	1/4	.265/6.73	.54/13.7	1.57/39.9



NOTES:

- 1. TERMINAL MATERIAL: COPPER ALLOY
- 2. FINISH: ELECTRO TIN PLATE.
- 3. INSULATION MATERIAL: HEAT SHRINKABLE TUBING WITH HOTMELT ADHESIVE INNER LINER. COLOR: YELLOW
- 4. MWID = MAXIMUM WIRE INSULATION DIAMETER.

SALES DRAWING

NEW RELEASE EC NO. E112003-0079 DRAWN BY: BRE CHK: HEB APPR: RWD	DESCRIPTION MAJOR CRITICAL	GENERAL TOLERANCES: (UNLESS SPECIFIED)		SCALE NO: NE	DESIGN UNITS <input type="checkbox"/> mm <input checked="" type="checkbox"/> INCH	THIRD ANGLE PROJECTION	DIMENSIONS: <input type="checkbox"/> mm <input checked="" type="checkbox"/> INCH	SHT	REV		
		4 PLACES $\pm 0.1$	3 PLACES $\pm 0.1$	2 PLACES $\pm 0.1$	1 PLACE $\pm 0.1$	DRAWN BY & DATE BRE 02/08/20	CHECKED BY & DATE HEB 02/08/20	APPROVED BY & DATE RWD 02/08/20	CAD FILENAME SD-19164-048 DGN	MATERIAL NO. SEE CHART	DRAWING NO. SD-19164-048
TITLE: SPADE TERMINAL PERMA-SEAL 10-12 AWG		ANGULARS $\pm$		DRAFT WHERE APPLICABLE MUST REMAIN WITHIN DIMENSIONS		THIS DRAWING CONTAINS INFORMATION THAT IS PROPRIETARY TO MOLEX INCORPORATED AND SHOULD NOT BE USED WITHOUT WRITTEN PERMISSION.		MOLEX INCORPORATED			