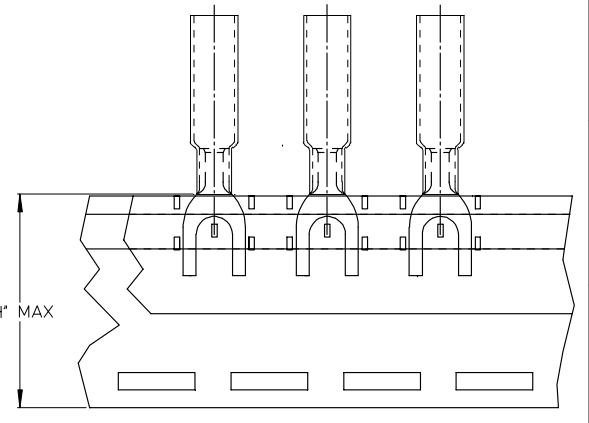
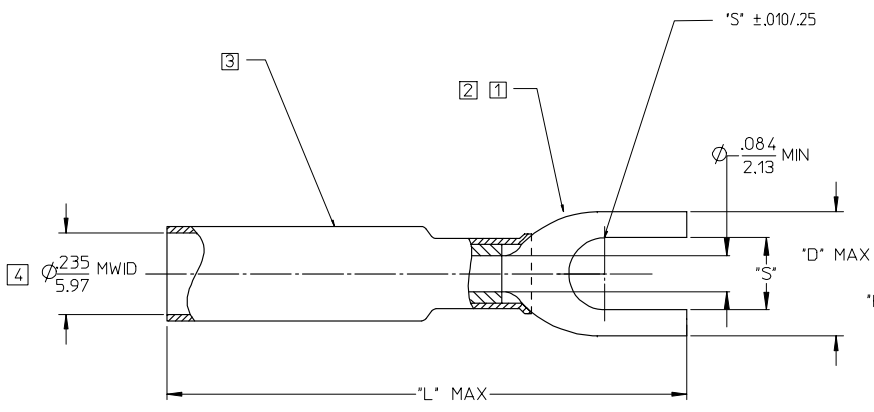


MATERIAL NUMBER LOOSE PC.	ENGINEERING NUMBER LOOSE PC.	MATERIAL NUMBER ON TAPE	ENGINEERING NUMBER ON TAPE	STUD SIZE	STUD HOLE SIZE 'S' ±.005/.13	'D'	'H'	'L'
191640028	SB-227-06	191640948	SB-227-06T	#06	∅.146/3.71	.37/9.4	.990/25.15	1.42/36.1
191640029	SB-227-08	191640949	SB-227-08T	#08	∅.173/4.39	.40/10.2	.990/25.15	1.42/36.1
191640030	SB-227-10	191640950	SB-227-10T	#10	∅.198/5.03	.40/10.2	.990/25.15	1.42/36.1



- NOTES:
- 1. TERMINAL MATERIAL: COPPER ALLOY .031/0.79 THK.
 - 2. FINISH: ELECTRO TIN PLATE.
 - 3. INSULATION MATERIAL: PERMA-SEAL SHRINKABLE TUBING WITH HOT-MELT ADHESIVE INNER LINER. COLOR: BLUE.
 - 4. MWID = MAXIMUM WIRE INSULATION DIAMETER.

PROPOSED EC NO: DRAWN: SHADECK CHKD: ROEBESS APPR: JPAWLEK REV	DESCRIPTION 2005/06/28 2005/07/11 2005/07/11	QUALITY SYMBOLS	GENERAL TOLERANCES (UNLESS SPECIFIED)	DIMENSION STYLE IN/MM	SCALE 4:1	DESIGN UNITS INCH	THIRD ANGLE PROJECTION
		▽ = 0 ▽ = 0					
		4 PLACES ± --- ± ---	DRAFT WHERE APPLICABLE MUST REMAIN WITHIN DIMENSIONS	DRAWN BY BE DATE 02/09/03	CHECKED BY HB DATE 02/09/03	APPROVED BY RD DATE 02/09/03	TITLE PERMA-SEAL TERMINAL SPADE TERMINAL 16-14 AWG TAPE MOUNTED
		3 PLACES ± --- ± ---					
		2 PLACES ± --- ± ---					
		1 PLACE ± --- ± ---					
		ANGULAR ± 5°	MATERIAL NO. SEE CHART		DOCUMENT NO. SD-19164-027		MOLEX INCORPORATED
			SIZE B		THIS DRAWING CONTAINS INFORMATION THAT IS PROPRIETARY TO MOLEX INCORPORATED AND SHOULD NOT BE USED WITHOUT WRITTEN PERMISSION		STEEY NO. 1 OF 1