

4

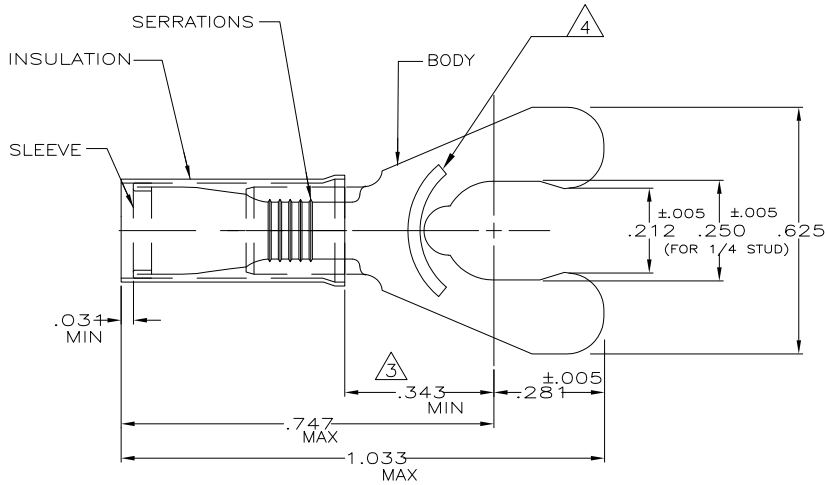
3

2

1

THIS DRAWING IS UNPUBLISHED. RELEASED FOR PUBLICATION
 © COPYRIGHT - BY TYCO ELECTRONICS CORPORATION. ALL INTERNATIONAL RIGHTS RESERVED.

LOC	DIST	REVISIONS				
P	LTR	DESCRIPTION	DATE	DWN	APVD	
G	14					
	K	REV PER ECR 10-005107	08MAR10	JR	TM	



- 1 FOR WIRE INSULATION DIA OF .115 TO .170.
- 2 TONGUE MATERIAL THK IS .031±.002
- 3 DIMENSION APPLIES FROM EDGE OF METAL WIRE BARREL TO CENTER OF STUD HOLE.
- 4 STAMP " 1/4 S AMP 16-14* ", LOCATED APPROX AS SHOWN.

2500	ON TAPE REEL	52939-1	INSULATION: NYLON, COLOR: BLUE SLEEVE: COPPER PER ASTM B152
1000	LOOSE PIECE BOX	52939	BODY: PHOS. BRONZE PER ASTM B103 TIN PLATE PER ASTM B545
QTY	DESCRIPTION	PART NO.	MATERIAL & FINISH

THIS DRAWING IS A CONTROLLED DOCUMENT.		DWN	JR RUTH	25OCT01		Tyco Electronics Corporation Harrisburg, PA 17105-3608														
DIMENSIONS: INCHES		CHK	MS FEHER	25OCT01		APVD	T MICHELUTTI	25OCT01												
<table border="1"> <thead> <tr> <th>TOLERANCES UNLESS OTHERWISE SPECIFIED:</th> <th></th> </tr> </thead> <tbody> <tr> <td>0 PLC</td> <td>± -</td> </tr> <tr> <td>1 PLC</td> <td>± -</td> </tr> <tr> <td>2 PLC</td> <td>± -</td> </tr> <tr> <td>3 PLC</td> <td>± .008</td> </tr> <tr> <td>4 PLC</td> <td>± -</td> </tr> <tr> <td>ANGLES</td> <td>± -</td> </tr> </tbody> </table>		TOLERANCES UNLESS OTHERWISE SPECIFIED:		0 PLC	± -	1 PLC	± -	2 PLC	± -	3 PLC	± .008	4 PLC	± -	ANGLES	± -	NAME		WIRE TERMINAL, PIDG, SPRING SPADE, (STUB) 16-14 AWG		
TOLERANCES UNLESS OTHERWISE SPECIFIED:																				
0 PLC	± -																			
1 PLC	± -																			
2 PLC	± -																			
3 PLC	± .008																			
4 PLC	± -																			
ANGLES	± -																			
MATERIAL SEE TABLE		FINISH SEE TABLE		APPLIC. SPEC	SIZE	CAGE CODE	DRAWING NO	RESTRICTED TO												
				WEIGHT	A3	00779	52939													
CUSTOMER DRAWING				SCALE	4:1	SHEET	1 OF 1	REV												
								K												