

4

3

2

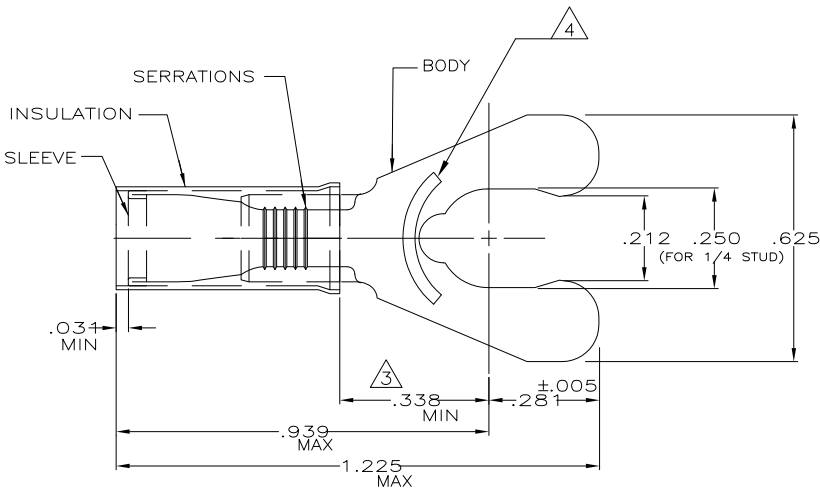
1

THIS DRAWING IS UNPUBLISHED. RELEASED FOR PUBLICATION
 © COPYRIGHT - BY TYCO ELECTRONICS CORPORATION. ALL INTERNATIONAL RIGHTS RESERVED.

LOC	DIST	REVISIONS			
P	LTR	DESCRIPTION	DATE	DWN	APVD
G	14	J	REV PER ECR 10-005107	08MAR10	JR TM

AMP WIRE RANGE	Listed	LR7189 Certified
12-10 AWG SOLID OR STRANDED	12-10 AWG SOLID OR STRANDED	12-10 AWG SOLID OR STRANDED

- 1 FOR WIRE INSULATION DIA OF .150 TO .250.
- 2 TONGUE MATERIAL THK IS .040±.002
- 3 DIMENSION APPLIES FROM EDGE OF METAL WIRE BARREL TO CENTER OF STUD HOLE.
- 4 STAMP " ¼ S AMP 12-10 ", LOCATED APPROX AS SHOWN.
- 5 PRELIMINARY - NOT FOR PRODUCTION



50	LOOSE PIECE BOX	8-52945-2	INSULATION: NYLON, COLOR: YELLOW
1000	ON TAPE REEL	52945-1	SLEEVE: COPPER PER ASTM B-152
500	WIRE TERMINAL	52945	BODY: PHOS. BRONZE PER ASTM B-103 TIN PLATE PER ASTM B-545
QTY	DESCRIPTION	PART NO.	MATERIAL & FINISH

THIS DRAWING IS A CONTROLLED DOCUMENT.		DWN JR RUTH 25OCT01	Tyco Electronics Corporation Harrisburg, PA 17105-3608													
DIMENSIONS: INCHES		CHK MS FEHER 25OCT01	NAME													
TOLERANCES UNLESS OTHERWISE SPECIFIED:		APVD T MICHELUTTI 25OCT01	WIRE TERMINAL, PIDG, SPRING SPADE, (STUB) 12-10 AWG													
<table border="1"> <tr><td>0 PLC</td><td>± -</td></tr> <tr><td>1 PLC</td><td>± -</td></tr> <tr><td>2 PLC</td><td>± -</td></tr> <tr><td>3 PLC</td><td>± .008</td></tr> <tr><td>4 PLC</td><td>± -</td></tr> <tr><td>ANGLES</td><td>± -</td></tr> </table>		0 PLC	± -	1 PLC	± -	2 PLC	± -	3 PLC	± .008	4 PLC	± -	ANGLES	± -	PRODUCT SPEC	SIZE	RESTRICTED TO
0 PLC	± -															
1 PLC	± -															
2 PLC	± -															
3 PLC	± .008															
4 PLC	± -															
ANGLES	± -															
MATERIAL SEE TABLE	FINISH SEE TABLE	APPLICATION SPEC	CAGE CODE A300779	DRAWING NO C-52945												
WEIGHT		CUSTOMER DRAWING		SCALE 4:1 SHEET 1 OF 1 REV J												