

4

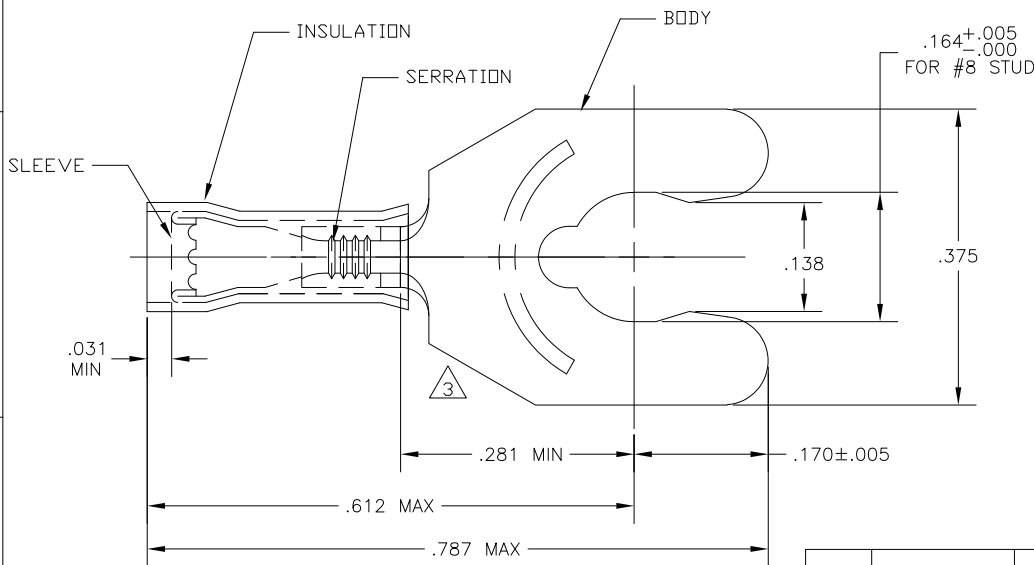
3

2

1

THIS DRAWING IS UNPUBLISHED. RELEASED FOR PUBLICATION
 © COPYRIGHT - BY TYCO ELECTRONICS CORPORATION. ALL INTERNATIONAL RIGHTS RESERVED.

LOC	DIST	REVISIONS			
P	LTR	DESCRIPTION	DATE	DWN	APVD
G	14	REV & REDRAWN PER ECR 10-005247	09MAR10	JR	TM



- 1 FOR .050 TO .082 WIRE INSULATION DIA
- 2 TONGUE MATERIAL THK = .018 ± .002
- 3 APPLIES FROM THE METAL EDGE OF THE BARREL TO THE CENTER OF THE STUD

5,000	52925 ON TAPE	BODY: PHOS BRONZE PER ASTM-B103 TIN PLATE PER ASTM-B545 SLEEVE: COPPER PER ASTM-B152 TIN PLATE PER ASTM-B545 INSULATION: NYLON PER ASTM-D4066 TYPE 1, COLOR: YELLOW	52925-1
1	WIRE TERMINAL		52925
QTY	DESCRIPTION	MATERIAL & FINISH	PART NO

THIS DRAWING IS A CONTROLLED DOCUMENT.		DWN jr_ruth 09MAR10	Tyco Electronics Corporation Harrisburg, PA 17105-3608	
DIMENSIONS: INCHES	TOLERANCES UNLESS OTHERWISE SPECIFIED:	CHK TOM_MICHIELUTTI 09MAR10	NAME TOM_MICHIELUTTI	
0 PLC ± -	1 PLC ± -	APVD TOM_MICHIELUTTI 09MAR10	PRODUCT SPEC	
2 PLC ± .008	3 PLC ± -	APPLICATION SPEC	WIRE TERMINAL, PIDG, SPRING SPADE WIRE SIZE: 26-22	
4 PLC ± -	ANGLES ± 5°	WEIGHT	SIZE A3	CAGE CODE 00779
MATERIAL SEE TABLE	FINISH SEE TABLE	DRAWING NO 52925	DRAWING NO 52925	RESTRICTED TO
CUSTOMER DRAWING			SCALE 8:1	SHEET 1 OF 1
			REV G	