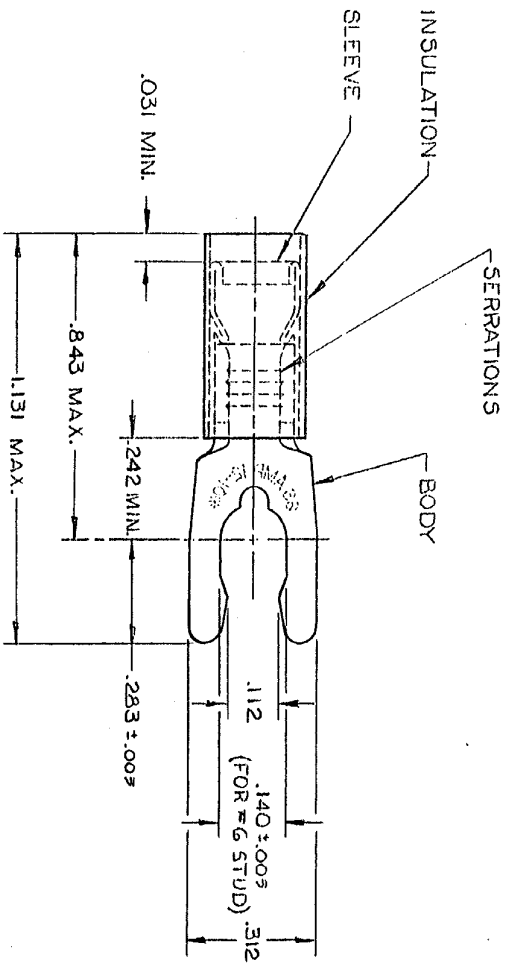


DRAWING MADE IN THIRD ANGLE PROJECTION

THIS DRAWING IS UNPUBLISHED. RELEASED FOR PUBLICATION

© COPYRIGHT 19 BY AMP INCORPORATED, HARRISBURG, PA. ALL INTERNATIONAL RIGHTS RESERVED. AMP PRODUCTS MAY BE COVERED BY U.S. AND FOREIGN PATENTS AND/OR PATENTS PENDING.



- 1 WIRE INSULATION DIA. = SEE TABLE, DIM. "A"
- 2 TONGUE MATERIAL THK. = .040 ±.002
- 3 BODY FINISH: TIN PLATE (MIL-T-10727).000100 MIN THK

P	F	ZONE	LTR	DESCRIPTION	DATE	APPROVED
✓		D		REDRAWN-REVISED PER G-1477.	2/1/86	Pjm
✓		E		G-1177. P87-0087 & P85-0089/KC-1928	3/24/87	MS
✓		F		OBSELETE -4 PER G-2393	4-12-88	TKG/gy
✓		G		REVISED G-3044		gy
✓		H		G 085 -5 PER G-3358	11/6/88	gy
				REV PER G-5648	11/3/91	DVS/DE

OBSELETE

DIM. "A"	QUANTITY	DESCRIPTION	PART NO
.150-.250	500	ON TAPE, 16 BOX	52430-2
.150-.250	500	ON TAPE, 16 BOX	52430-3
.150-.250	2500	ON TAPE, REEL	52430-2
.150-.250	---	LOOSE PIECE	52430-1
.150-.250	---	LOOSE PIECE	52430

UNLESS OTHERWISE SPECIFIED, DIMENSIONS ARE IN INCHES. TOLERANCES ON: ANGLES ±.005

MATERIAL: INSULATION: W/LW - YELLOW SLEEVE: COPPER (00-C-576) BODY: PHOSPHOR BRONZE (00-B-750)

CONTRACT NO. DR UTA / RFB 3-26-85

CHK: *[Signature]* 12-19-88

APPRO: *[Signature]* 2-19-86

DSGN APPD: OTHER APPD:

NAME: TERMINAL SPADE

P.I.D.G., SPRING SPADE

WIRE SIZE: 12-10

SIZE: B

FSGM NO: 00779

DRAWING NO: 52430

SCALE: NTS

SHEET 1 OF 1

CUSTOMER DRAWING

AMP 1470-17