

4

3

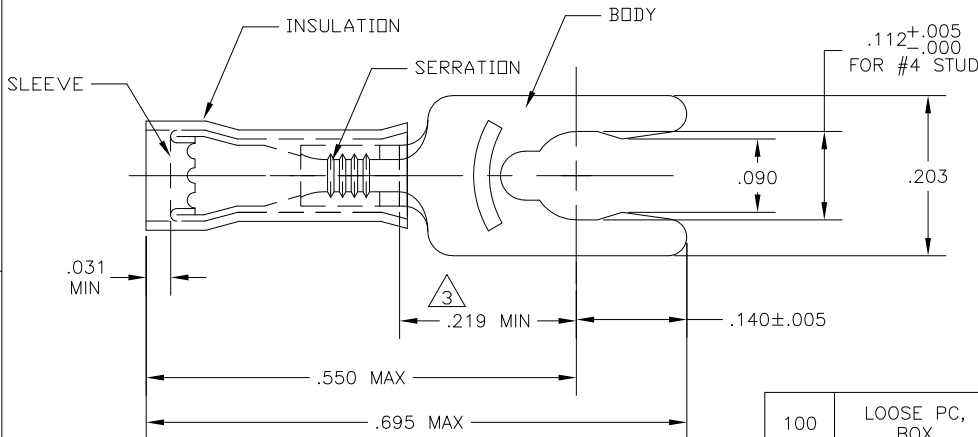
2

1

THIS DRAWING IS UNPUBLISHED. RELEASED FOR PUBLICATION
 © COPYRIGHT - BY TYCO ELECTRONICS CORPORATION. ALL INTERNATIONAL RIGHTS RESERVED.

LOC	DIST	REVISIONS				
P	LTR	DESCRIPTION	DATE	DWN	APVD	
G	14	F	REV & REDRAWN PER ECR 10-005247	09MAR10	JR	TM

- 1 FOR .050 TO .082 WIRE INSULATION DIA
- 2 TONGUE MATERIAL THK = .018±.002
- △3 APPLIES FROM THE METAL EDGE OF THE BARREL TO THE CENTER OF THE STUD



QTY	DESCRIPTION	MATERIAL & FINISH	PART NO
100	LOOSE PC, BOX	BODY: PHOS BRONZE PER ASTM-B103 TIN PLATE PER ASTM-B545	8-52922-1
5,000	52922 ON TAPE	SLEEVE: COPPER PER ASTM-B152 TIN PLATE PER ASTM-B545	52922-1
1	WIRE TERMINAL	INSULATION: NYLON PER ASTM-D4066 TYPE 1, COLOR: YELLOW	52922

THIS DRAWING IS A CONTROLLED DOCUMENT.		DWN jr_ruth 09MAR10	Tyco Electronics Corporation Harrisburg, PA 17105-3608	
DIMENSIONS: INCHES	TOLERANCES UNLESS OTHERWISE SPECIFIED:	CHK TOM MICHIELUTTI 09MAR10	NAME TOM MICHIELUTTI	
0 PLC ± -	1 PLC ± -	APVD TOM MICHIELUTTI 09MAR10	PRODUCT SPEC WIRE TERMINAL, PIDG, SPRING SPADE WIRE SIZE: 26-22	
2 PLC ± .008	3 PLC ± -	APPLICATION SPEC	SIZE A3	CAGE CODE 00779
4 PLC ± -	ANGLES ± 5°	WEIGHT	DRAWING NO C-52922	RESTRICTED TO
MATERIAL SEE TABLE	FINISH SEE TABLE	CUSTOMER DRAWING	SCALE 8:1	SHEET 1 OF 1
			REV F	