

4

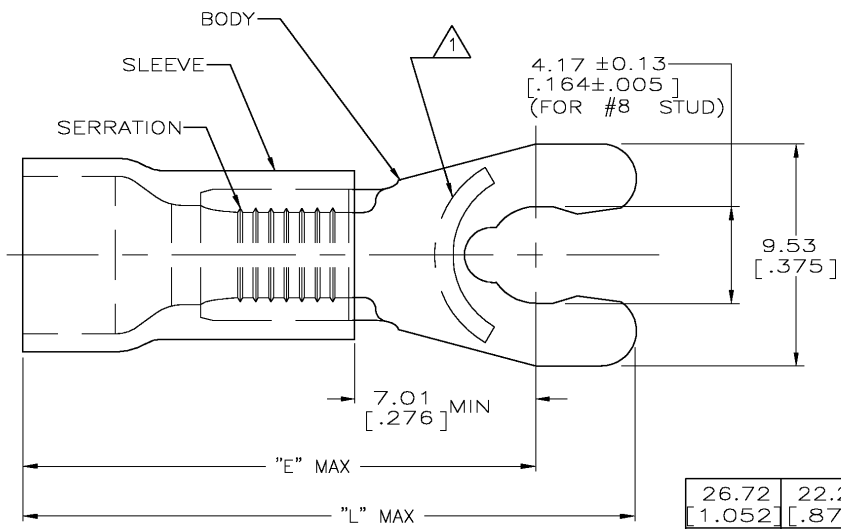
3

2

1

THIS DRAWING IS UNPUBLISHED. RELEASED FOR PUBLICATION  
 © COPYRIGHT - BY TYCO ELECTRONICS CORPORATION. ALL RIGHTS RESERVED.

LOC	DIST	REVISIONS					
		P	LTR	DESCRIPTION	DATE	DWN	APVD
G	14	N		REV PER 0G3A-0668-04	24AUG04	JR	TM



<b>AMP</b> WIRE RANGE	Listed FILE E13288	LR7189 Certified
12-10 AWG SOLID OR STRANDED	12 AWG STRANDED	12-10 AWG SOLID OR STRANDED

- 1. STAMP 8S AMP 12-10\*APPROX AS SHOWN
- 2. SEE TABLE FOR WIRE INSUL DIA
- 3. TONGUE MATL THK, 1.02±0.05 [.040±.002]
- 4. MATERIAL: BODY - BRASS PER ASTM B36  
SLEEVE - PVC, COLOR - YELLOW

26.72 [1.052]	22.28 [.877]	2.67-5.08 [.105-.200]	50	LOOSE PIECE, BOX	8-52962-2
28.22 [1.111]	23.77 [.936]	6.35-7.62 [.250-.300]	1500	ON TAPE, REEL	52962-3
28.22 [1.111]	23.77 [.936]	6.35-7.62 [.250-.300]	500	LOOSE PIECE	52962-2
26.72 [1.052]	22.28 [.877]	2.67-5.08 [.105-.200]	2500	ON TAPE, REEL	52962-1
26.72 [1.052]	22.28 [.877]	2.67-5.08 [.105-.200]	500	LOOSE PIECE	52962
L	E	WIRE INSUL DIA	QTY	PACKAGE TYPE	PART NO

<b>AMP INCORPORATED CUSTOMER SERVICE SYSTEMS</b>		MAX RECOMMENDED OPERATING TEMPERATURE: 105°C [221°F]	THIS DRAWING IS A CONTROLLED DOCUMENT.		DWN L OLMEDA 26JUN85	Tyco Electronics Corporation Harrisburg, Pa 17105-3608
FOR ADDITIONAL PRODUCT INFORMATION OR COPIES OF DRAWINGS AND TECHNICAL DOCUMENTS PRODUCT INFORMATION CENTER 1-800-522-6752	VOLTAGE RATING: 600V MAX (1000V FIXTURE OR SIGN)	DIMENSIONS: mm [INCHES]	TOLERANCES UNLESS OTHERWISE SPECIFIED:	CHK M ELLIS 26JUN85	APVD G NGO 26JUN85	
FOR APPLICATION TOOLING ASSISTANCE CENTER 1-800-722-1111	CIRCULAR MIL AREA: 2.62-6.64mm² [5,180-13,100] SOLID OR STRANDED		0 PLC ± - 1 PLC ± - 2 PLC ± 0.20 [.008] 3 PLC ± - 4 PLC ± - ANGLES ± -	FINISH TIN PER ASTM B545	PRODUCT SPEC UL 486A	APPLICATION SPEC
FOR ORDER ENTRY 1-800-526-5142	THIS DRAWING IS A CONTROLLED DOCUMENT FOR AMP INCORPORATED. IT IS SUBJECT TO CHANGE AND THE CONTROLLING ENGINEERING ORGANIZATION SHOULD BE CONTACTED FOR THE LATEST REVISION.	MATERIAL - 4			WEIGHT	RESTRICTED TO
AMP 1470-19 REV 31MAR2000		CUSTOMER DRAWING		SCALE 6:1	SHEET 1 OF 1	REV N