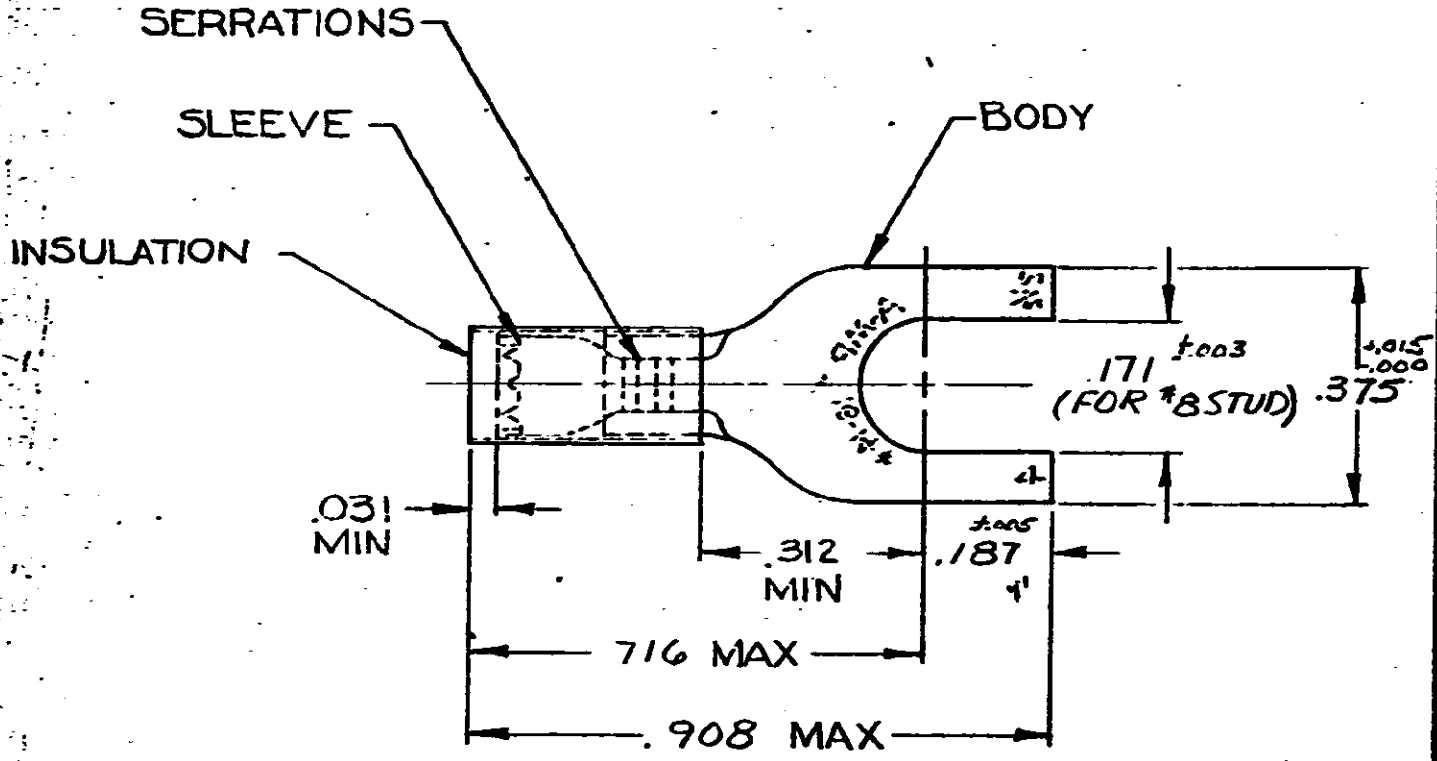


DRAWING MADE IN AMERICAN PROJECTION

LOC 5 14 PRINT LIST

©1955 BY AMP INCORPORATED. ALL RIGHTS RESERVED. AMP PRODUCTS COVERED BY PATENTS AND/OR PATENTS PENDING.

REVISIONS			
LTR	DESCRIPTION	DATE	APPROVED
A	REDRAWN, REVISED, ADDED TAPE NO: P-6079	3-16-70	FCY
B	REV PER G-4732	JT 2/22/88	aj
C	REV/G-019392	LC 9/92	M.E.



TONGUE MATERIAL THK = .031 ±.002
FOR .115 TO .170 WIRE INSULATION DIA

QTY	DESCRIPTION	PART NO
100	LOOSE PC, BOX	8-32059-1

QTY	DESCRIPTION	PART NO	MATERIAL & FINISH
1	32059 ON TAPE	2-32059-1	BODY: COPPER (QQ-C-576) TIN PL (MIL-T-10727)
1	WIRE TERMINAL	32059	SLEEVE: COPPER (QQ-C-576) INSULATION: NYLON COLOR: BLUE

UNLESS OTHERWISE SPECIFIED DIMENSIONS ARE IN INCHES
TOLERANCES ON:
DECIMALS ±.003
ANGLES ±5°

MATERIAL
SEE TABLE

CONTRACT NO. #

DR. *M. E. Converse* 2-12-70

CHK. *R. J. Conroy* 3-10-70

APPD. *J. Swab* 3-18-70

REL. *R. J. Conroy* 3-17-70

DSGN APPD. *J. Swab*

OTHER APPD.

AMP AMP INCORPORATED
HARRISBURG, PENNSYLVANIA

NAME
WIRE TERMINAL
P.I.D.G. - SPADE
WIRE SIZE: 16-14

SIZE	CODE IDENT NO.	NUMBER
A	00779	32059

SCALE NTS

SHEET 1 OF 1

CUSTOMER-DRAWING