

4

3

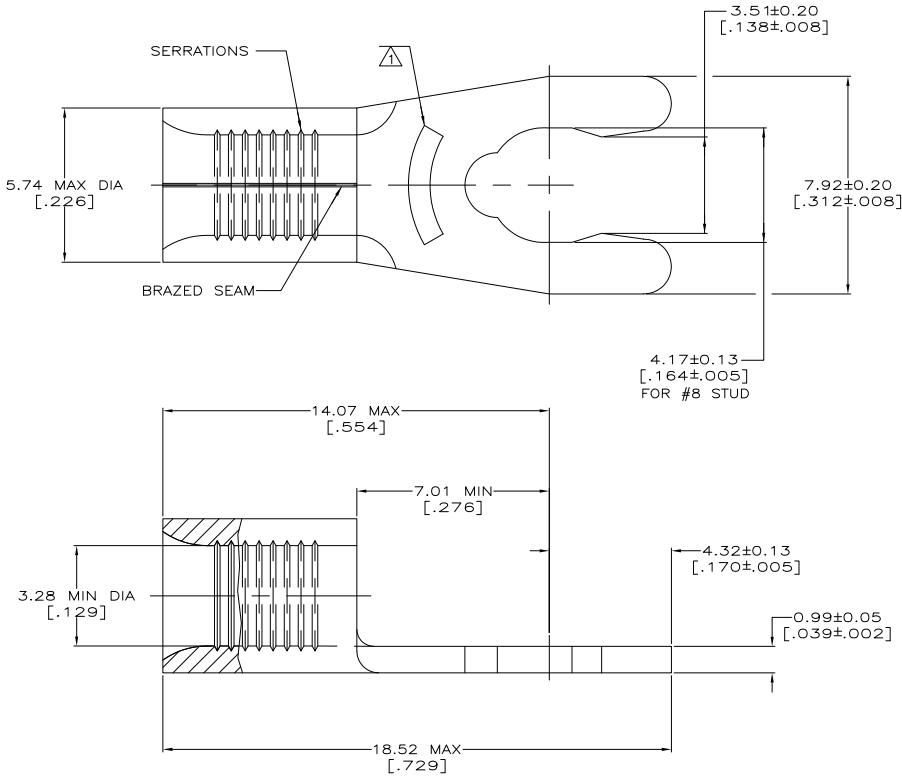
2

1

THIS DRAWING IS UNPUBLISHED. RELEASED FOR PUBLICATION
 © COPYRIGHT BY TYCO ELECTRONICS CORPORATION. ALL INTERNATIONAL RIGHTS RESERVED.

LOC		DIBT		REVISIONS			
P	LR	DESCRIPTION	DATE	BY	APPD		
G	14	B1	REV PER EDR 10-006882	05APR10	JR	TM	

AMP WIRE RANGE	Listed FILE E13288	LR7189 Certified
12-10 AWG SOLID OR STRANDED	12-10 AWG STRANDED	12-10 AWG SOLID OR STRANDED



- 1 STAMP 8S AMP 12-10* APPROX AS SHOWN 8S INDICATES STUD SIZE
- 2 PHOS BRONZE PER ASTM B-103, ANNEALED
- 3 TIN PLATE 0.00254 [0.00100] MIN THK PER ASTM B545

2500	ON TAPE	53835-2
--	LOOSE PIECE	53835-1
QTY	PACKAGING TYPE	PART NO.

MAX RECOMMENDED OPERATING TEMPERATURE: 170°C MAX VOLTAGE RATING: N/A CIRCULAR MIL AREA: 2.62-6.64mm² [5,180-13,100] SOLID OR STRANDED	THIS DRAWING IS A CONTROLLED DOCUMENT. DIMENSIONS: MM (INCHES) TOLERANCES UNLESS OTHERWISE SPECIFIED: 0 PLC ± . 1 PLC ± . 2 PLC ± . 3 PLC ± . 4 PLC ± . ANGLES ± . FINISH	DR. TA BRINKMAN 3-29-93 CR. DA PATTERSON 3-29-93 J.L. MECKLEY 3-29-93 APPLICATION SPEC: -- WEIGHT: -- CUSTOMER DRAWING	Tyco Electronics Corporation Harrisburg, PA 17105-3608 TERMINAL, SHORT SPRING SPADE, SOLISTRAND SIZE: A2 CASE CODE: 00779 DRAWING NO: C=53835 RESTRICTED TO: -- SCALE: 10:1 SHEET: 1 of 1 REV: B1
---	---	---	---

1471-9 (1/08)

53835

A