

4

3

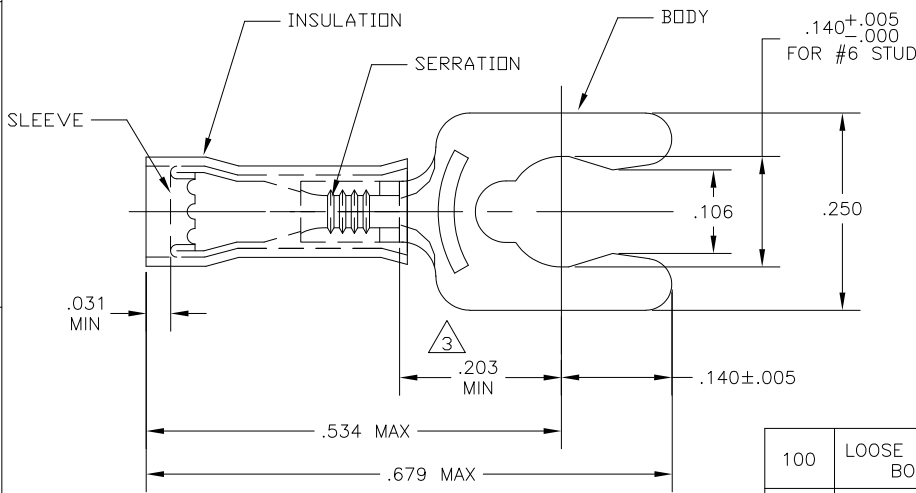
2

1

THIS DRAWING IS UNPUBLISHED. RELEASED FOR PUBLICATION
 © COPYRIGHT - By - ALL RIGHTS RESERVED.

LOC	DIST	REVISIONS			
P	LTR	DESCRIPTION	DATE	DWN	APVD
G	14	REVISED PER ECO-11-004917	11MAR11	RK	HMR

- 1 FOR .050 TO .082 WIRE INSULATION DIA
- 2 TONGUE MATERIAL THK = .018±.002
- △3 APPLIES FROM THE METAL EDGE OF THE BARREL TO THE CENTER OF THE STUD



100	LOOSE PIECE, BOX	BODY: PHOS BRONZE PER ASTM-B103 TIN PLATE PER ASTM-B545 SLEEVE: COPPER PER ASTM-B152 TIN PLATE PER ASTM-B545 INSULATION: NYLON PER ASTM-D4066 TYPE 1, COLOR: YELLOW	8-52924-1
4,000	52924 ON TAPE		52924-1
1	WIRE TERMINAL		52924
QTY	DESCRIPTION	MATERIAL & FINISH	PART NO

THIS DRAWING IS A CONTROLLED DOCUMENT.		DWN jr_ruth 09MAR10	TE Connectivity			
DIMENSIONS: INCHES		CHK TOM_MICHELUTTI 09MAR10			NAME	
TOLERANCES UNLESS OTHERWISE SPECIFIED: 0 PLC ± - 1 PLC ± - 2 PLC ± .008 3 PLC ± - 4 PLC ± - ANGLES ± 5°		APVD TOM_MICHELUTTI 09MAR10	WIRE TERMINAL, PIDG, SPRING SPADE WIRE SIZE: 26-22			
MATERIAL SEE TABLE	FINISH SEE TABLE	PRODUCT SPEC - APPLICATION SPEC - WEIGHT -	SIZE A3	CAGE CODE 00779	DRAWING NO C-52924	RESTRICTED TO -
CUSTOMER DRAWING			SCALE 8:1	SHEET 1 OF 1	REV G1	