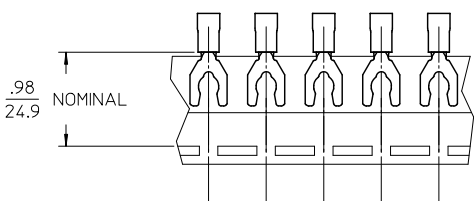
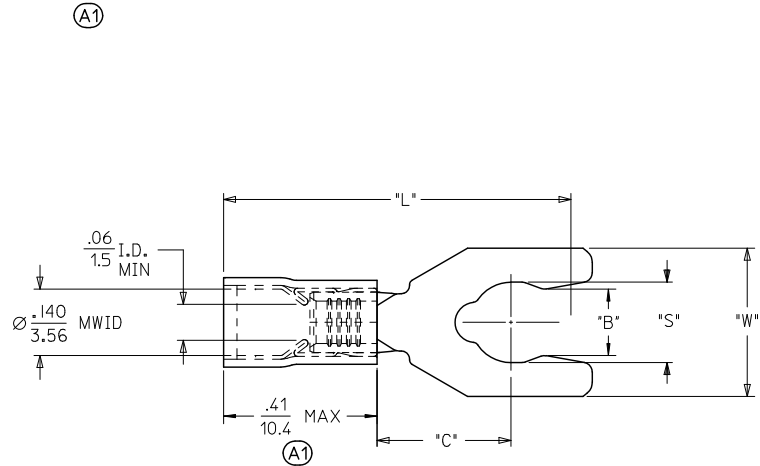


MATERIAL NUMBER	ALTERNATE NUMBER	STUD SIZE	"S" ±.010/0.25	"W" ±.010/0.25	"C" MIN	"L" MAX	"B"	PACKAGING
191150007	AA-8704-05	5	.126/3.20	.255/6.48	.23/5.8	.81/20.6	.105/2.67	LOOSE PIECE
191150009	AA-8704-06	6	.140/3.56	.255/6.48	.23/5.8	.81/20.6	.114/2.90	
191150012	AA-8714-08	8	.168/4.27	.310/7.87	.26/6.6	.88/22.2	.139/3.53	
191150014	AA-8715-10	10	.192/4.88	.330/8.38	.26/6.6	.92/23.4	.156/3.96	
191150008	AA-8704-05T	5	.126/3.20	.255/6.48	.23/5.8	.81/20.6	.105/2.67	TAPE MOUNTED
191150010	AA-8704-06T	6	.140/3.56	.255/6.48	.23/5.8	.81/20.6	.114/2.90	
191150013	AA-8714-08T	8	.168/4.27	.310/7.87	.26/6.6	.88/22.2	.139/3.53	
191150015	AA-8715-10T	10	.192/4.88	.330/8.38	.26/6.6	.92/23.4	.156/3.96	



(A1)

- NOTES:
- MATERIAL: COPPER
PLATING: ELECTROPLATE TIN
 - FERRULE: TIN-PLATED BRASS
 - INSULATION: LIGHT RED NYLON
 - MWID=MAXIMUM WIRE INSULATION DIA.
 - PARTS ARE ROHS COMPLIANT.

REDRAW EC NO: WNA2010-0744 DRAWN: ETHRODAHL 2010/06/04 CHKD: JMACNEIL 2010/06/09 APPR: JMACNEIL 2010/06/25 DESCRIPTION A1 REV	QUALITY SYMBOLS ▽=0 ▽=0	GENERAL TOLERANCES (UNLESS SPECIFIED) <table border="1"> <tr> <th></th> <th>mm</th> <th>INCH</th> </tr> <tr> <td>4 PLACES</td> <td>± .10</td> <td>± .004</td> </tr> <tr> <td>3 PLACES</td> <td>± .05</td> <td>± .002</td> </tr> <tr> <td>2 PLACES</td> <td>± 0.13</td> <td>± .010</td> </tr> <tr> <td>1 PLACE</td> <td>± 0.25</td> <td>± .020</td> </tr> <tr> <td colspan="3">ANGULAR ±1/2°</td> </tr> </table>		mm	INCH	4 PLACES	± .10	± .004	3 PLACES	± .05	± .002	2 PLACES	± 0.13	± .010	1 PLACE	± 0.25	± .020	ANGULAR ±1/2°			DIMENSION STYLE IN/MM	SCALE ---	DESIGN UNITS INCH	THIRD ANGLE PROJECTION
		mm	INCH																					
4 PLACES	± .10	± .004																						
3 PLACES	± .05	± .002																						
2 PLACES	± 0.13	± .010																						
1 PLACE	± 0.25	± .020																						
ANGULAR ±1/2°																								
DRAFT WHERE APPLICABLE MUST REMAIN WITHIN DIMENSIONS		DRAWN BY ETHRODAHL 2010/06/04	DATE 2010/06/04	TITLE SNAP SPADE TERMINAL AVIKRIMP 22-18 AWG																				
		CHECKED BY JMACNEIL 2010/06/09	DATE 2010/06/09	MOLEX INCORPORATED																				
		APPROVED BY JMACNEIL 2010/06/22	DATE 2010/06/22	MATERIAL NO. SEE CHART	DOCUMENT NO. SD-19115-001	SHEET NO. 1 OF 1																		
THIS DRAWING CONTAINS INFORMATION THAT IS PROPRIETARY TO MOLEX INCORPORATED AND SHOULD NOT BE USED WITHOUT WRITTEN PERMISSION																								