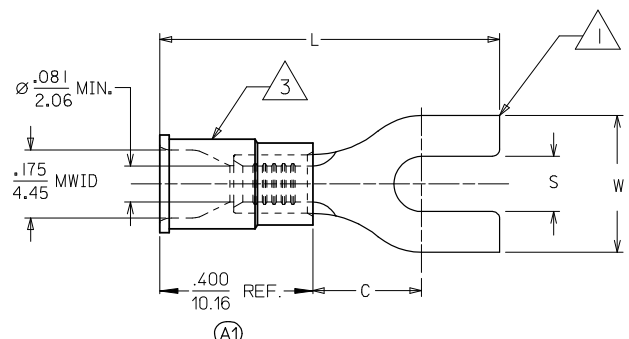
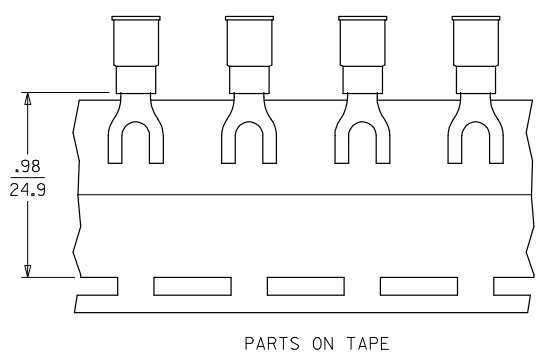


MATERIAL NUMBER	ALTERNATE NUMBER	STUD SIZE	"S" ±.005/(0.13)	"W" ±.010/(0.25)	"C" MIN (A1)	"L" MAX (A1)	PACKAGING
191440013	BB-207-04X	4	.119/(3.02)	.245/(6.22)	.209/(5.31)	.790/(20.07)	LOOSE PIECE
191440015	BB-207-06X	6	.146/(3.71)	.245/(6.22)	.209/(5.31)	.790/(20.07)	
191440017	BB-224-04X	4	.119/(3.02)	.295/(7.49)	.211/(5.36)	.789/(20.04)	
191440018	BB-224-06X	6	.146/(3.71)	.295/(7.49)	.211/(5.36)	.789/(20.04)	
191440020	BB-224-08X	8	.173/(4.39)	.295/(7.49)	.211/(5.36)	.789/(20.04)	
191440022	BB-227-06X	6	.146/(3.71)	.362/(9.19)	.269/(6.83)	.912/(23.16)	
191440024	BB-227-08X	8	.173/(4.39)	.388/(9.85)	.269/(6.83)	.912/(23.16)	
191440026	BB-227-10X	10	.198/(5.03)	.388/(9.85)	.269/(6.83)	.912/(23.16)	
191440014	BB-207-04XT	4	.119/(3.02)	.245/(6.22)	.209/(5.31)	.790/(20.07)	TAPE MOUNTED
191440016	BB-207-06XT	6	.146/(3.71)	.245/(6.22)	.209/(5.31)	.790/(20.07)	
191440063	BB-224-04XT	4	.119/(3.02)	.295/(7.49)	.211/(5.36)	.789/(20.04)	
191440019	BB-224-06XT	6	.146/(3.71)	.295/(7.49)	.211/(5.36)	.789/(20.04)	
191440021	BB-224-08XT	8	.173/(4.39)	.295/(7.49)	.211/(5.36)	.789/(20.04)	
191440023	BB-227-06XT	6	.146/(3.71)	.362/(9.19)	.269/(6.83)	.912/(23.16)	
191440025	BB-227-08XT	8	.173/(4.39)	.388/(9.85)	.269/(6.83)	.912/(23.16)	
191440027	BB-227-10XT	10	.198/(5.03)	.388/(9.85)	.269/(6.83)	.912/(23.16)	



CUSTOMER DRAWING

- NOTES:
1. MATERIAL: COPPER .031/(.79) THICK.
 2. PLATING: ELECTRO-TIN.
 3. INSULATION: MOLDED PVC (BLUE)
 4. ALL DIMENSIONS IN INCHES/(MM).
 5. MWID=MAXIMUM WIRE INSULATION DIAMETER.
 6. PART IS ROHS COMPLIANT.

(A1)

CORRECT TOLERANCE EC NO. WNAZ008-0105 DRAWN:THRODAHL 2008/03/10 CHKD: JACQUELIL 2008/03/11 APPR: JACQUELIL 2008/03/12	QUALITY SYMBOLS ▽=0 ▽=0	GENERAL TOLERANCES (UNLESS SPECIFIED)		DIMENSION STYLE IN/MM	SCALE 4:1	DESIGN UNITS INCH	THIRD ANGLE PROJECTION	
		mm	INCH	DRAWN BY HEB	DATE 1999/11/12	TITLE SPADE TONGUE TERMINAL 16-14 AWG INSULKRIMP 200 SERIES		
A1	REV	4 PLACES ± --- ± ---	3 PLACES ± --- ± .005	CHECKED BY RWD	DATE 1999/11/12	MOLEX MOLEX INCORPORATED		
		2 PLACES ± 0.13 ± .01	1 PLACE ± 0.25 ± ---	APPROVED BY RWD	DATE 1999/11/12	MATERIAL NO.	DOCUMENT NO. SD-19144-001	SHEET NO. 1 OF 1
DRAFT WHERE APPLICABLE MUST REMAIN WITHIN DIMENSIONS		SEE CHART		THIS DRAWING CONTAINS INFORMATION THAT IS PROPRIETARY TO MOLEX INCORPORATED AND SHOULD NOT BE USED WITHOUT WRITTEN PERMISSION				