

4

3

2

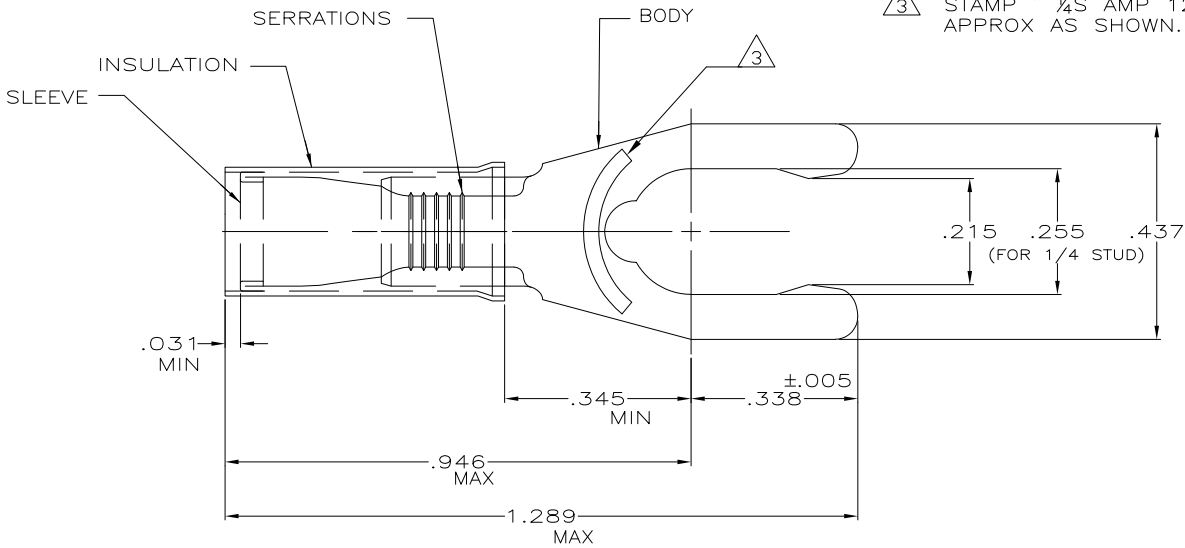
1

THIS DRAWING IS UNPUBLISHED. RELEASED FOR PUBLICATION  
 © COPYRIGHT - BY TYCO ELECTRONICS CORPORATION. ALL INTERNATIONAL RIGHTS RESERVED.

LOC	DIST	REVISIONS				
P	LTR	DESCRIPTION	DATE	DWN	APVD	
G	14	N1	REV PER ECR 10-013673	29JUN10	JR	TM

AMP WIRE RANGE	Listed	LR7189 Certified
12-10 AWG SOLID OR STRANDED	12-10 AWG SOLID OR STRANDED	12-10 AWG SOLID OR STRANDED

- 1 FOR WIRE INSULATION DIA ( SEE TABLE ).
- 2 TONGUE MATERIAL THK IS .0385±.002
- 3 STAMP " 1/4S AMP 12-10\*", LOCATED APPROX AS SHOWN.



.235 MIN	WIRE TERMINAL ON TAPE	52433-3	INSULATION: NYLON, COLOR: YELLOW SLEEVE: COPPER PER ASTM B-152			
.253 MIN	WIRE TERMINAL	52433-1	BODY: PHOS. BRONZE PER ASTM B-103 TIN PLATE PER ASTM B-545			
WIRE INS. DIA	DESCRIPTION	PART NO.	MATERIAL & FINISH			
THIS DRAWING IS A CONTROLLED DOCUMENT.		DWN JR RUTH 06MAR01	Tyco Electronics Corporation Harrisburg, PA 17105-3608			
DIMENSIONS: INCHES		CHK MS FEHER 06MAR01				
TOLERANCES UNLESS OTHERWISE SPECIFIED:		APVD T MICHELUTTI 06MAR01	NAME			
0 PLC ± -		PRODUCT SPEC	WIRE TERMINAL, PIDG, SPRING SPADE, 12-10 AWG			
1 PLC ± -		APPLICATION SPEC				
2 PLC ± -		WEIGHT	SIZE	CAGE CODE	DRAWING NO	RESTRICTED TO
3 PLC ± .008		FINISH	A3	00779	C-52433	-
4 PLC ± -	SEE TABLE	CUSTOMER DRAWING		SCALE	SHEET	REV
ANGLES ± -	SEE TABLE			5:1	1 OF 1	N1