

4

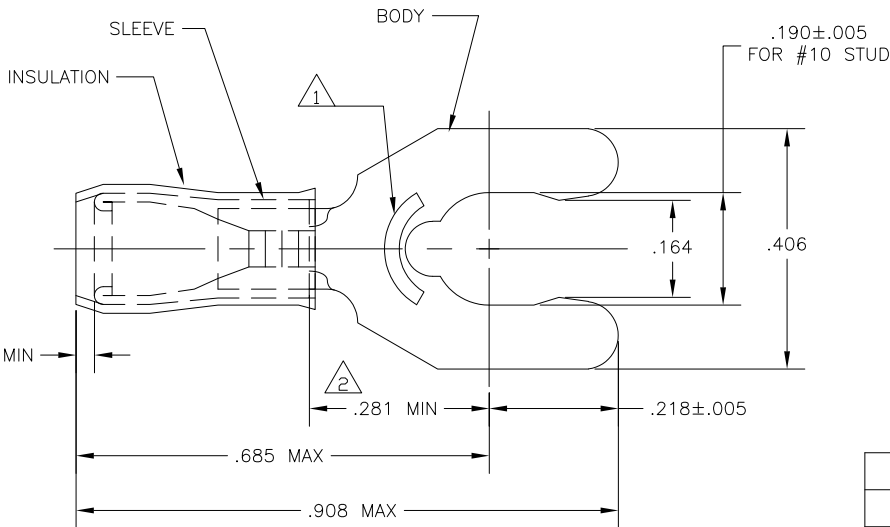
3

2

1

THIS DRAWING IS UNPUBLISHED. RELEASED FOR PUBLICATION  
 © COPYRIGHT - By - ALL RIGHTS RESERVED.

LOC	DIST	REVISIONS			
P	LTR	DESCRIPTION	DATE	DWN	APVD
G	14	L3	REVISED PER ECO-11-004917	11MAR11	RK HMR



- 1 STAMP 10S AMP 22-18\*, APPROX AS SHOWN. 22-16 TERMINALS ARE STAMPED 22-18 IN ACCORDANCE WITH MILITARY SPEC SAE-AS7928, COMMERCIAL WIRE RANGE IS 22-16.
- 2 APPLIES FROM EDGE OF METAL WIRE BARREL TO CENTER OF STUD HOLE.
- 3 TONGUE MATERIAL THK IS .031±.002
- 4 BODY - PHOS BRONZE PER ASTM B-103 SLEEVE - COPPER PER ASTM B-152 INSULATION - NYLON
- 5 BODY - TIN PLATE PER ASTM B545 SLEEVE - TIN PLATE PER ASTM B545 INSULATION - COLOR - RED

<b>AMP</b> WIRE RANGE	Listed FILE E13288	LR7189 Certified
22-16 AWG SOLID OR STRANDED	22-16 AWG SOLID OR STRANDED	22-16 AWG SOLID OR STRANDED

OBSOLETE

.080-.125	100	LOOSE PIECE, BOX	8-52931-1
.080-.125	BULK	LOOSE PIECE	8-52931-0
.105-.140	5000	ON TAPE, REEL	52931-3
.105-.140	1000	LOOSE PIECE	52931-2
.080-.125	5000	ON TAPE, REEL	52931-1
.080-.125	1000	LOOSE PIECE	52931
WIRE INSULATION OD	QTY	PACKAGE TYPE	PART NO

<b>CUSTOMER SERVICE SYSTEMS</b>		MAX RECOMMENDED OPERATING TEMPERATURE: 105°C	THIS DRAWING IS A CONTROLLED DOCUMENT.		DWN jr ruth 18MAR10	TE Connectivity	
FOR ADDITIONAL PRODUCT INFORMATION OR COPIES OF DRAWINGS AND TECHNICAL DOCUMENTS	PRODUCT INFORMATION CENTER 1-800-522-6752	VOLTAGE RATING: 300 V MAX	DIMENSIONS: INCHES	TOLERANCES UNLESS OTHERWISE SPECIFIED: 0 PLC ± - 1 PLC ± - 2 PLC ± - 3 PLC ± .008 4 PLC ± - ANGLES ± 5°	CHK T MICHELUTTI 18MAR10	NAME	
FOR APPLICATION TOOLING INFORMATION	TOOLING ASSISTANCE CENTER 1-800-722-1111	CIRCULAR MIL AREA: 0.26-1.65mm² [509-3260] SOLID OR STRANDED		MATERIAL	APVD T MICHELUTTI 18MAR10	PRODUCT SPEC	
FOR ORDER ENTRY	1-800-526-5142	THIS DRAWING IS A CONTROLLED DOCUMENT FOR AMP INCORPORATED. IT IS SUBJECT TO CHANGE AND THE CONTROLLING ENGINEERING ORGANIZATION SHOULD BE CONTACTED FOR THE LATEST REVISION.	4	FINISH	APPLICATION SPEC	SIZE	CAGE CODE
					WEIGHT	A3	00779
					CUSTOMER DRAWING	DRAWING NO	52931
						RESTRICTED TO	
						SCALE	6:1
						SHEET	1 OF 1
						REV	L3