

4

3

2

1

THIS DRAWING IS UNPUBLISHED. RELEASED FOR PUBLICATION  
 © COPYRIGHT - By - ALL RIGHTS RESERVED.

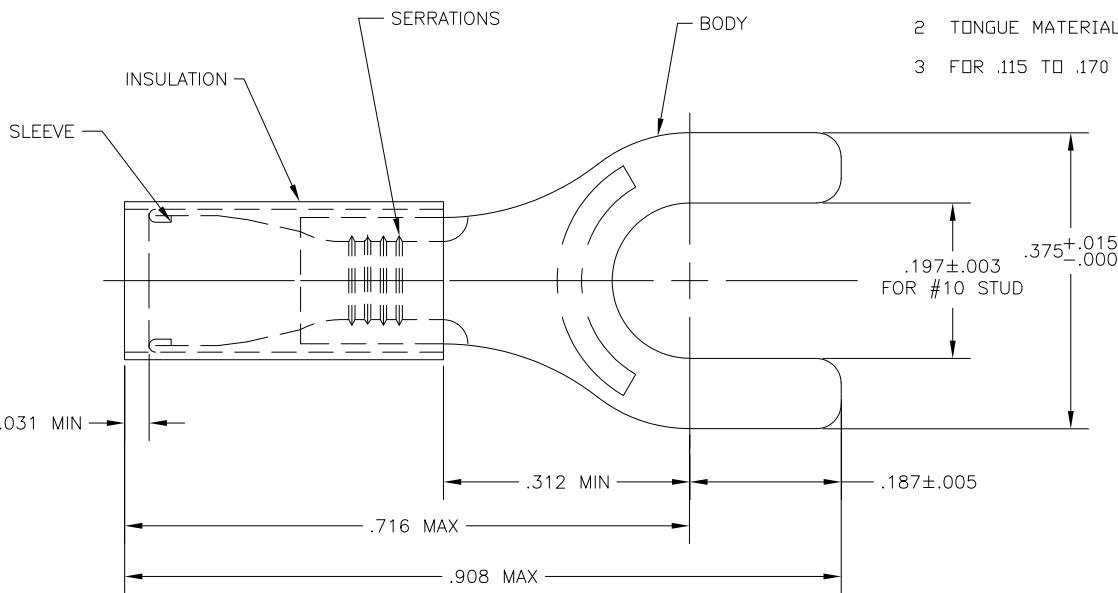
PART NO	PACKAGE TYPE	QTY
8-32060-1	LOOSE PIECE, BOX	100

LOC	DIST	REVISIONS			
P	LTR	DESCRIPTION	DATE	DWN	APVD
G	14	H1	REVISED PER ECO-11-004917	11MAR11	RK HMR

1 MATERIAL: BODY & SLEEVE - COPPER PER ASTM B152  
 TIN PLATE PER ASTM B545  
 INSULATION - NYLON, COLOR- BLUE

2 TONGUE MATERIAL THK IS .031±.002

3 FOR .115 TO .170 WIRE INSULATION DIA.



1	32060 ON TAPE	2-32060-1
1	WIRE TERMINAL	32060
QTY	DESCRIPTION	PART NO

THIS DRAWING IS A CONTROLLED DOCUMENT.		DWN jr_ruth 10NOV04	10NOV04															
DIMENSIONS: INCHES		CHK T MICHELUTTI 10NOV04	NAME <b>STE</b> TE Connectivity															
<table border="1"> <thead> <tr> <th>TOLERANCES UNLESS OTHERWISE SPECIFIED:</th> <th></th> </tr> </thead> <tbody> <tr><td>0 PLC</td><td>± .-</td></tr> <tr><td>1 PLC</td><td>± .-</td></tr> <tr><td>2 PLC</td><td>± .-</td></tr> <tr><td>3 PLC</td><td>± .008</td></tr> <tr><td>4 PLC</td><td>± .-</td></tr> <tr><td>ANGLES</td><td>± 5°</td></tr> </tbody> </table>		TOLERANCES UNLESS OTHERWISE SPECIFIED:		0 PLC	± .-	1 PLC	± .-	2 PLC	± .-	3 PLC	± .008	4 PLC	± .-	ANGLES	± 5°	APVD T MICHELUTTI 10NOV04	WIRE TERMINAL, PIDG - SPADE, WIRE SIZE : 16-14	
TOLERANCES UNLESS OTHERWISE SPECIFIED:																		
0 PLC	± .-																	
1 PLC	± .-																	
2 PLC	± .-																	
3 PLC	± .008																	
4 PLC	± .-																	
ANGLES	± 5°																	
MATERIAL		PRODUCT SPEC	SIZE	RESTRICTED TO														
FINISH		APPLICATION SPEC	A3															
1		WEIGHT	CAGE CODE	DRAWING NO														
1			00779	C=32060														
CUSTOMER DRAWING			SCALE	SHEET														
			8:1	1 OF 1														
				REV H1														