

4

3

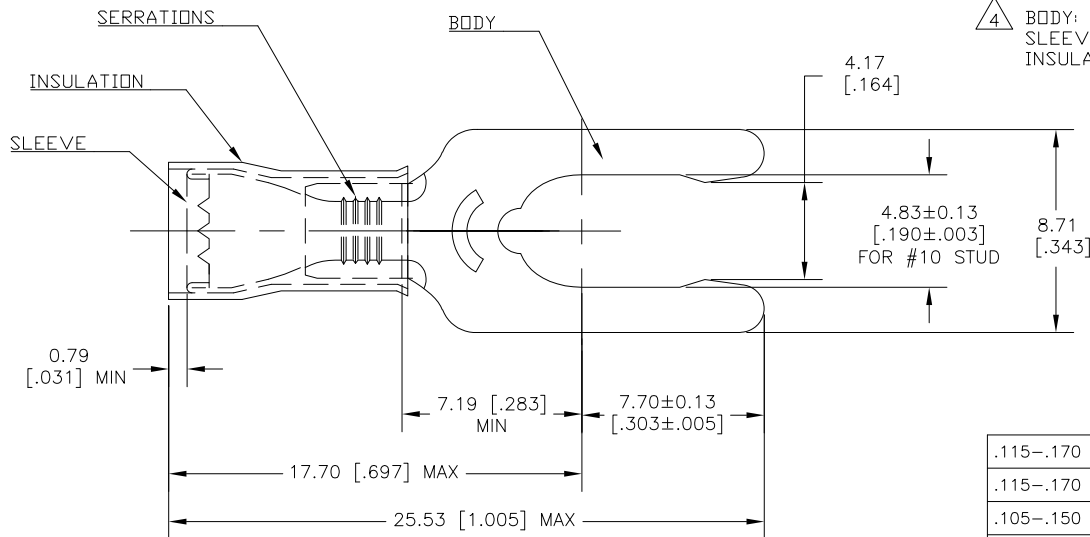
2

1

THIS DRAWING IS UNPUBLISHED. RELEASED FOR PUBLICATION  
 © COPYRIGHT - BY TYCO ELECTRONICS CORPORATION. ALL RIGHTS RESERVED.

LOC	DIST	REVISIONS				
P	LTR	DESCRIPTION	DATE	DWN	APVD	
G	14	J1	REDRAWN PER ECR 10-010105	28JUN10	JR	TM

- 1 WIRE INSULATION DIA, SEE TABLE "A"
- 2 TONGUE MATL THK, 0.789±0.05 [0.031±.002].
- ③ BODY: PHOS BRONZE PER ASTM B103  
INSULATION: NYLON  
SLEEVE: COPPER PER ASTM B152
- ④ BODY: TIN PLATE PER ASTM B545  
SLEEVE: TIN PLATE PER ASTM B545  
INSULATION: COLOR-BLUE



.115-.170	100	LOOSE PIECE, BOX	8-52422-1
.115-.170	--	ON TAPE	52422-3
.105-.150	--	ON TAPE	52422-2
.115-.170	--	LOOSE PIECE	52422-1
.105-.150	--	LOOSE PIECE	52422
DIM "A"	QTY	PACKAGE TYPE	PART NO

THIS DRAWING IS A CONTROLLED DOCUMENT.		DWN jr_ruth 14MAY10	Tyco Electronics Corporation Harrisburg, PA 17105-3608	
DIMENSIONS: MM [ INCHES ]		CHK TOM MICHIELUTTI 14MAY10	NAME TOM MICHIELUTTI	
TOLENCES UNLESS OTHERWISE SPECIFIED:		APVD TOM MICHIELUTTI	PRODUCT SPEC -	
0 PLC	± -	APPLICATION SPEC	-	
1 PLC	± -	WEIGHT	-	
2 PLC	± 0.2 [0.008]	SIZE	A3	00779
3 PLC	± -	CAGE CODE	C=52422	DRAWING NO
4 PLC	± -	RESTRICTED TO	-	
ANGLES	± 5°	CUSTOMER DRAWING	SCALE	6:1
MATERIAL	FINISH	SHEET		1 OF 1
③	④	REV		J1

AMP 1470-19 REV 31MAR2000