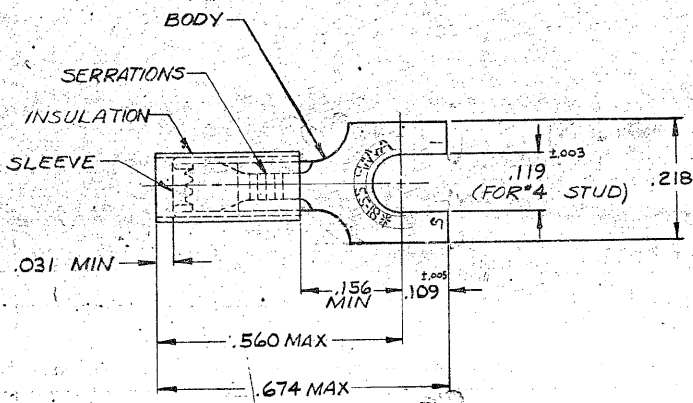


DRAWING MADE IN AMERICAN PROJECTION

© 1959 BY AMP INCORPORATED. ALL RIGHTS RESERVED. AMP PRODUCTS COVERED BY PATENTS AND/OR PATENTS PENDING.

REVISIONS				
ZONE	LTR	DESCRIPTION	DATE	APPROVED
D		REDRAWN & ADDED TAPE NO'S R608	1-14-70	FCV
E		1-3 INACTIVE PER P.9260	10-17-72	JLT
F		OBS 1-3 REV G 2591	10-20-81	PNF
G		REV PER G-4732	7-1-82	JTC
H		REV/0720-0066-93	4-14-93	MS/ML
J		REV/0410-0094-98	2-3-99	Me/JT



TONGUE MATERIAL THK .031  
 MARKING 22-18 FOR MILITARY  
 COMMERCIAL RANGE 22-16

TABLE I

100	LOOSE PC. BOX	8-327717-1	SLEEVE: COPPER (ASTM B152) TIN PL (ASTM B545)
1	WIRE TERMINAL	SEE TABLE II	BODY: COPPER (ASTM B152) TIN PL (ASTM B545)
QTY DESCRIPTION PART NO		INSULATION: NYLON COLOR: RED MATERIAL & FINISH	
UNLESS OTHERWISE SPECIFIED DIMENSIONS ARE IN INCHES TOLERANCES ON: DECIMALS ±.008 ANGLES ± 5°		CONTRACT NO. 4	AMP INCORPORATED HARRISBURG, PENNSYLVANIA
MATERIAL SEE TABLE I		DR. <i>[Signature]</i> 1-12-70 CHK. <i>[Signature]</i> 1-14-70 APPD. <i>[Signature]</i> 1-15-70 RE. <i>[Signature]</i> 1-18-70 DSGN APPD. <i>[Signature]</i> OTHER APPD.	NAME WIRE TERMINAL P.I.D.G. <sup>TM</sup> SPADE WIRE SIZE: 22-16
		SIZE B	CODE IDENT NO. 00779
		SCALE NTS	NUMBER 327717 SHEET 1 OF 1

TABLE II

8-327717-1		.105 - .140	⚠ OBSOLETE
327717-0	<del>1-327717-3</del>	.080 - .125	
327717	1-327717-2	.105 - .140	
PART NO.	PART NO. ON TAPE	WIRE INS. DIA.	