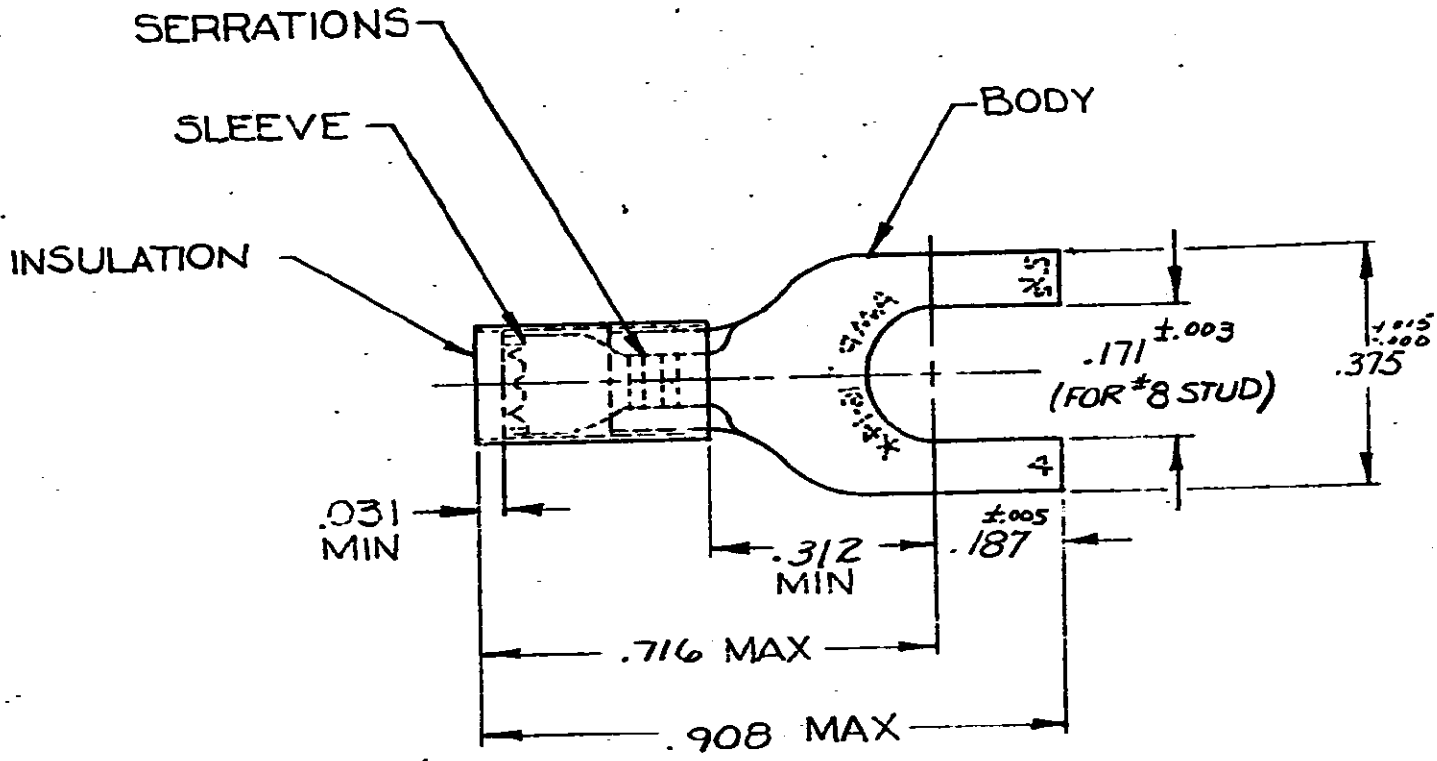


DRAWING MADE IN AMERICAN PROJECTION

© 1955 BY AMP INCORPORATED. ALL RIGHTS RESERVED. AMP PRODUCTS COVERED BY PATENTS AND/OR PATENTS PENDING.

REVISIONS			
LTR	DESCRIPTION	DATE	APPROVED
A	REDRAWN, REVISED, ADDED TAPE NO P-4079	3-16-70	FCY
B	REV PER G-4732	5/12/88	PC
C	REV/0720-0032-93	LO 2193	ME



100	LOOSE PC, BOX	8-32056-1	
1	32056 ON TAPE	2-32056-1	BODY: COPPER (QQ-C-576) TIN PL (MIL-T-10727)
1	WIRE TERMINAL	32056	SLEEVE: COPPER (QQ-C-576) INSULATION: NYLON COLOR: BLUE
QTY	DESCRIPTION	PART NO	MATERIAL & FINISH
UNLESS OTHERWISE SPECIFIED DIMENSIONS ARE IN INCHES TOLERANCES ON: DECIMALS ±.008 ANGLES ±5°		CONTRACT NO. #	<b>AMP</b> AMP INCORPORATED HARRISBURG, PENNSYLVANIA
MATERIAL		DR. <i>W. E. Emmerling</i> 3-12-70	
SEE TABLE		CHK. <i>H. J. ...</i> 3-16-70	NAME WIRE TERMINAL P.I.D.G. - SPADE WIRE SIZE: 16-14
		APPD. <i>W. J. ...</i> 3-16-70	SIZE A
		REL. <i>H. J. ...</i> 3-17-70	CODE IDENT NO. 00779
		DSGN APPD.	NUMBER 32056
OTHER APPD.		SCALE NTS	SHEET 1 OF 1

CUSTOMER DRAWING