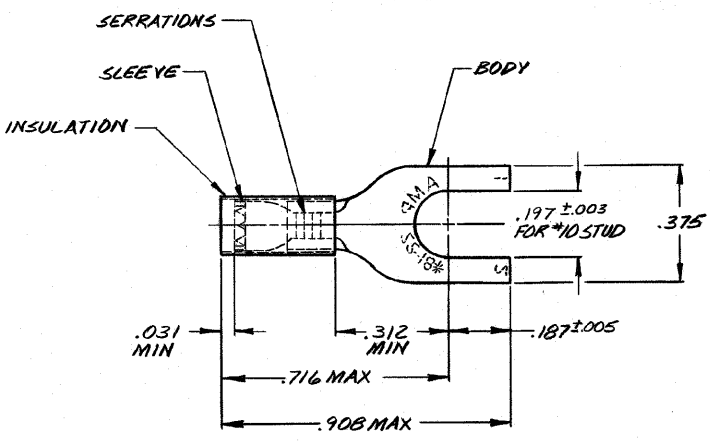


DRAWING MADE IN THIRD ANGLE PROJECTION

THIS DRAWING IS UNPUBLISHED. RELEASED FOR PUBLICATION

© COPYRIGHT 19 BY AMP INCORPORATED, HARRISBURG, PA. ALL INTERNATIONAL RIGHTS RESERVED. AMP PRODUCTS MAY BE COVERED BY U.S. AND FOREIGN PATENTS AND/OR PATENTS PENDING.

REVISIONS					
P. F.	ZONE	LTR	DESCRIPTION	DATE	APPROVED
✓	D		RED'WN & ADD -1 P85-0953	7/1/85	MP/JS
✓	E		OBSOLETE -1 PER G-2393	3/2/85	GS
✓	F		REV G-5131	6/89	MP/JS
	G		REV/0720-0032-93	2/93	ML
	H		REV/DG10-0094-98	2-5-99	ME/JT
	J		REV PER 067A-027A-01	2/4/01	DC/TM



QTY	PACKAGE TYPE	PART NO.	
—	LOOSE PIECE	32054	
5,000	ON TAPE REEL BOX	32054-1	OBSOLETE
5,000	ON TAPE REEL	232054-1	
100	LOOSE PC BOX	8-32054-1	
50	LOOSE PC BAG	8-32054-5	3

- TONGUE MATERIAL THK = .031±.002 FOR .105 TO .140 WIRE INSULATION DIA.
 - MARKING 22-18 FOR MILITARY COMMERCIAL RANGE 22-16
- 3 SUPERSEDED BY 8-32054-1

	8-32054-5
	8-32054-1
BODY: COPPER (ASTM B 152) TIN PL (ASTM B 345)	2-32054-1
OBSOLETE = SLEEVE: COPPER (ASTM B 152) TIN PL (ASTM B 345)	32054-1
INSULATION: NYLON COLOR: RED	32054
MATERIAL & FINISH	PART NO

UNLESS OTHERWISE SPECIFIED DIMENSIONS ARE IN INCHES. TOLERANCES ON: DECIMALS ±.008 ANGLES ±		CONTRACT NO		AMP AMP INCORPORATED Harrisburg, Pa.	
MATERIAL SEE TABLE		DR <i>Printing 7/31/85</i>		NAME NYLON PIDG™ SPADE TONGUE 22-16	
FINISH SEE TABLE		CHKD <i>Must Clean</i>		SIZE B	
		APD <i>3-1-85</i>		FSCM NO 00779	
		AFPD		DRAWING NO 32054	
		DSGN APPD		SCALE NTS.	
		OTHER APPD		SHEET —	

CUSTOMER DRAWING