

4

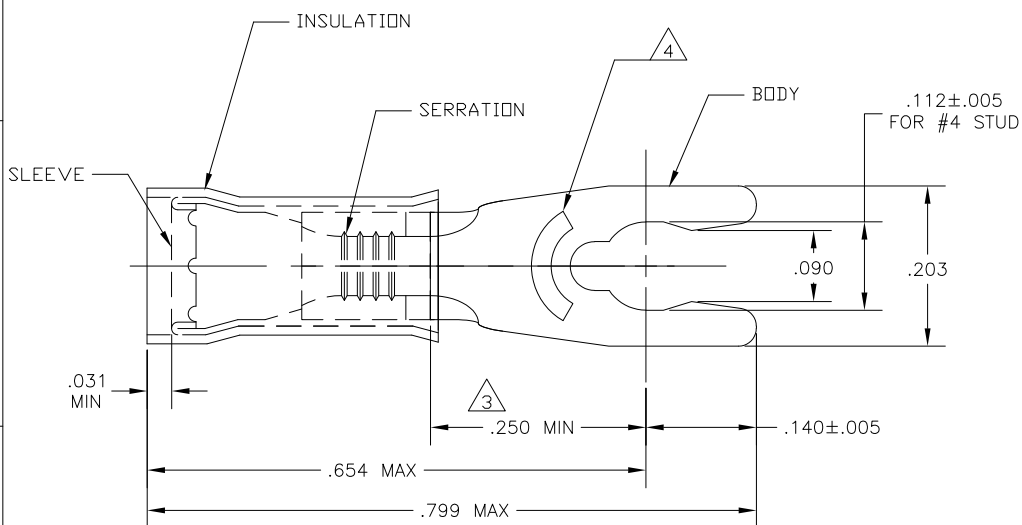
3

2

1

THIS DRAWING IS UNPUBLISHED. RELEASED FOR PUBLICATION  
 © COPYRIGHT - By - ALL RIGHTS RESERVED.

LOC	DIST	REVISIONS			
P	LTR	DESCRIPTION	DATE	DWN	APVD
G	14				
	E1	REVISED PER ECO-11-004917	11MAR11	RK	HMR



- 1 FOR .080-.125 WIRE INSULATION DIA
- 2 TONGUE MATERIAL THK = .031±.002
- 3 APPLIES FROM THE METAL EDGE OF THE BARREL TO THE CENTER OF THE STUD
- 4 MARKING 22-18 FOR MILITARY, COMMERCIAL RANGE 22-16

100	LOOSE PIECE, BOX	BODY: PHOS BRONZE PER ASTM-B103 TIN PLATE PER ASTM-B545	8-52927-1
5,000	52927 ON TAPE	SLEEVE: COPPER PER ASTM-B152	52927-1
1	WIRE TERMINAL	INSULATION: NYLON PER ASTM-D4066 TYPE 1, COLOR: RED	52927
QTY	DESCRIPTION	MATERIAL & FINISH	PART NO

THIS DRAWING IS A CONTROLLED DOCUMENT.		DWN jr_ruth 09MAR10	TE Connectivity	
DIMENSIONS: INCHES		CHK TOM_MICHELUTTI 09MAR10		
TOLERANCES UNLESS OTHERWISE SPECIFIED: 0 PLC ± - 1 PLC ± - 2 PLC ± .008 3 PLC ± - 4 PLC ± - ANGLES ± 5°		APVD TOM_MICHELUTTI 09MAR10	WIRE TERMINAL, PIDG, SPRING SPADE WIRE SIZE: 22-16	
MATERIAL SEE TABLE	FINISH SEE TABLE	PRODUCT SPEC -	APPLICATION SPEC -	RESTRICTED TO -
		WEIGHT -	SIZE A3	CAGE CODE 00779
		DRAWING NO C-52927		DRAWING NO -
CUSTOMER DRAWING			SCALE 8:1	SHEET 1 OF 1
			REV E1	

1470-19 (3/11)