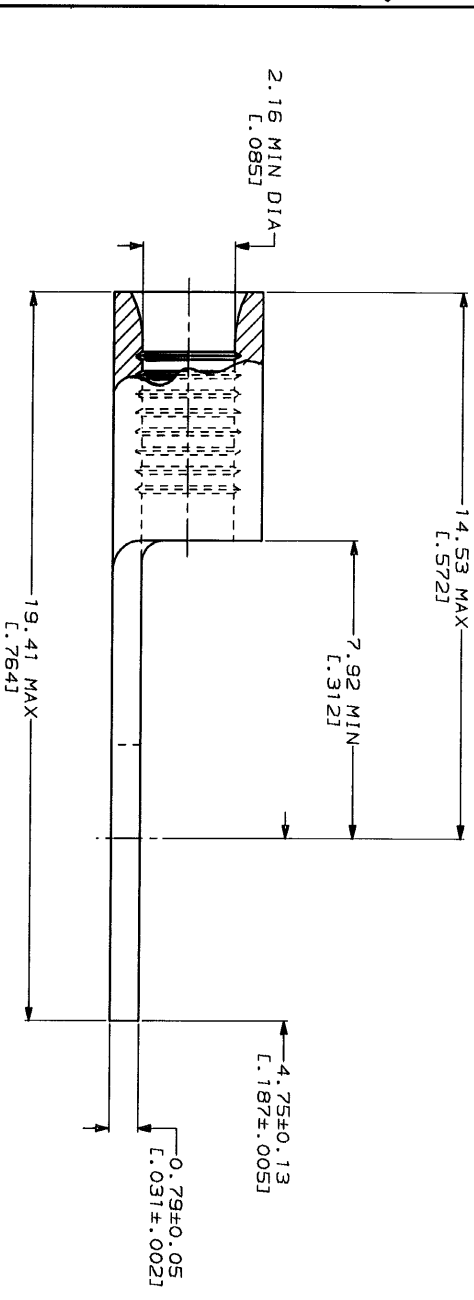


<b>AMP WIRE RANGE</b>	<b>UL E13286 Listed</b>
16-14 AWG SOLID OR STRANDED	16-14 AWG SOLID OR STRANDED
● <b>LR7189 Certified</b>	<b>MILITARY P/N AND CLASS</b>
16-14 AWG SOLID OR STRANDED	NOT APPLICABLE

△ STAMP AMP 16-14\* APPROX AS SHOWN



DO NOT SCALE PRINT. UNLESS SPECIFIED OTHERWISE. DIMENSIONS IN MILLIMETERS UNLESS OTHERWISE NOTED.	DR 3-26-93	TA BRINKMAN
2 P/C DEC ±	CHK 3-26-93	DA PATTERSON
3 P/C DEC ±	APPD 3-26-93	DE MILLER
ANGLES ±	APPD 3-26-93	JL HECKLEY
MATERIAL	PRODUCT SPEC	
COPPER PER ASTM B-152 ANNEALED	APPLICATION SPEC	
FINISH	TIN PLATE	0.00254 [L.0001001] MIN THK PER MIL-T-10727

AMP INCORPORATED CUSTOMER SERVICE SYSTEMS	MAX RECOMMENDED OPERATING TEMPERATURE: 170°C MAX	VOLTAGE RATING: NOT APPLICABLE	WIRE CROSS SECTIONAL AREA RANGE: 1.04-2.62mm <sup>2</sup> [2.050-5.180] CIR MILS SOLID OR STRANDED
FOR ADDITIONAL PRODUCT INFORMATION OR COPIES OF DRAWINGS AND TECHNICAL DOCUMENTS	PRODUCT INFORMATION CENTER 1-800-522-6752	TOOLING ASSISTANCE CENTER 1-800-722-1111	FOR ORDER ENTRY 1-800-526-5142

50	LOOSE PIECE, BAG	8-33219-5
100	LOOSE PIECE, BOX	8-33219-1
	LOOSE PIECE	33219

AMP Incorporated  
Harrisburg, PA 17105-3508

TERMINAL, SPADE TONGUE, SOLISTRAND™

SIZE CASE CODE 00779 DRAWING NO 33219

SCALE 10:1 SHEET 1 OF 1