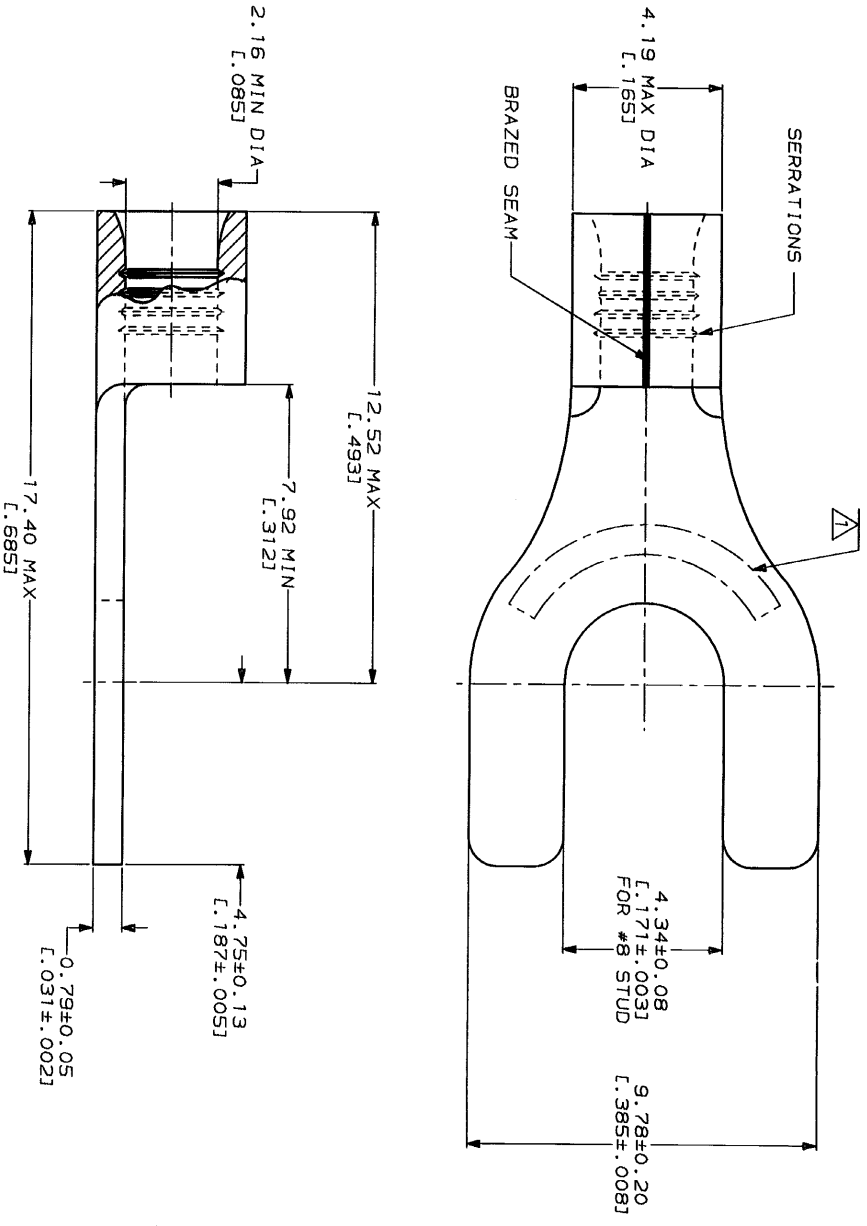




AMP WIRE RANGE	IL E13288 Listed
16-14 AWG SOLID OR STRANDED	16-14 AWG SOL ID OR STRANDED P/N 34128 & 8-34128-1 & 8-34128-5 ONLY
LR7189 Certified	MILITARY P/N AND CLASS
16-14 AWG SOL ID OR STRANDED P/N 34128 & 8-34128-1 & 8-34128-5 ONLY	NOT APPLICABLE

△ STAMP AMP 16-14* APPROX AS SHOWN



QUANTITY	PACKAGE TYPE	MAX OPERATING TEMPERATURE	FINISH	PART NO
50	LOOSE PIECE BAG 34128	170°C	TIN PLATE 0.00254[L.000100] MIN THK PER MIL-T-10727	8-34128-5
100	LOOSE PIECE BOX 34128	170°C	TIN PLATE 0.00254[L.000100] MIN THK PER MIL-T-10727	8-34128-1
---	LOOSE PIECE	343°C	NICKEL PLATE 0.000762[L.000030] MIN THK PER QQ-N-290	34128-1
---	LOOSE PIECE	170°C	TIN PLATE 0.00254[L.000100] MIN THK PER MIL-T-10727	34128

AMP INCORPORATED
CUSTOMER SERVICE SYSTEMS

FOR ADDITIONAL PRODUCT INFORMATION OR COPIES OF DRAWINGS AND TECHNICAL DOCUMENTS: PRODUCT INFORMATION CENTER 1-800-522-6752

FOR APPLICATION TOOLING INFORMATION: TOOLING ASSISTANCE CENTER 1-800-722-1111

FOR ORDER ENTRY: 1-800-526-5142

MAX RECOMMENDED OPERATING TEMPERATURE: SEE TABLE

VOLTAGE RATING: NOT APPLICABLE

WIRE CROSS SECTIONAL AREA RANGE: 1.04-2.62mm² (2.050-5.180) CIR MILS SOL ID OR STRANDED

FINISH: SEE TABLE

APPLICATION SPEC: TERMINAL, SPADE TONGUE, SOLISTRAND™

AMP Incorporated
Harrisburg, PA 17105-3608

SIZE CASE CODE: 00779
DRAWING NO: 34128

SCALE: 10:1

SHEET: 1 OF 1

AMP 1471-S REV 3-82

10 SEP 1993 12:41:24 AMP26463 4151284X0E1112320W1123SL SOLISTRAND-1 IN LINE

CUSTOMER DRAWING