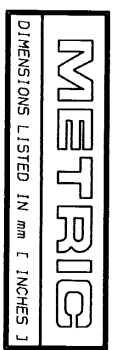
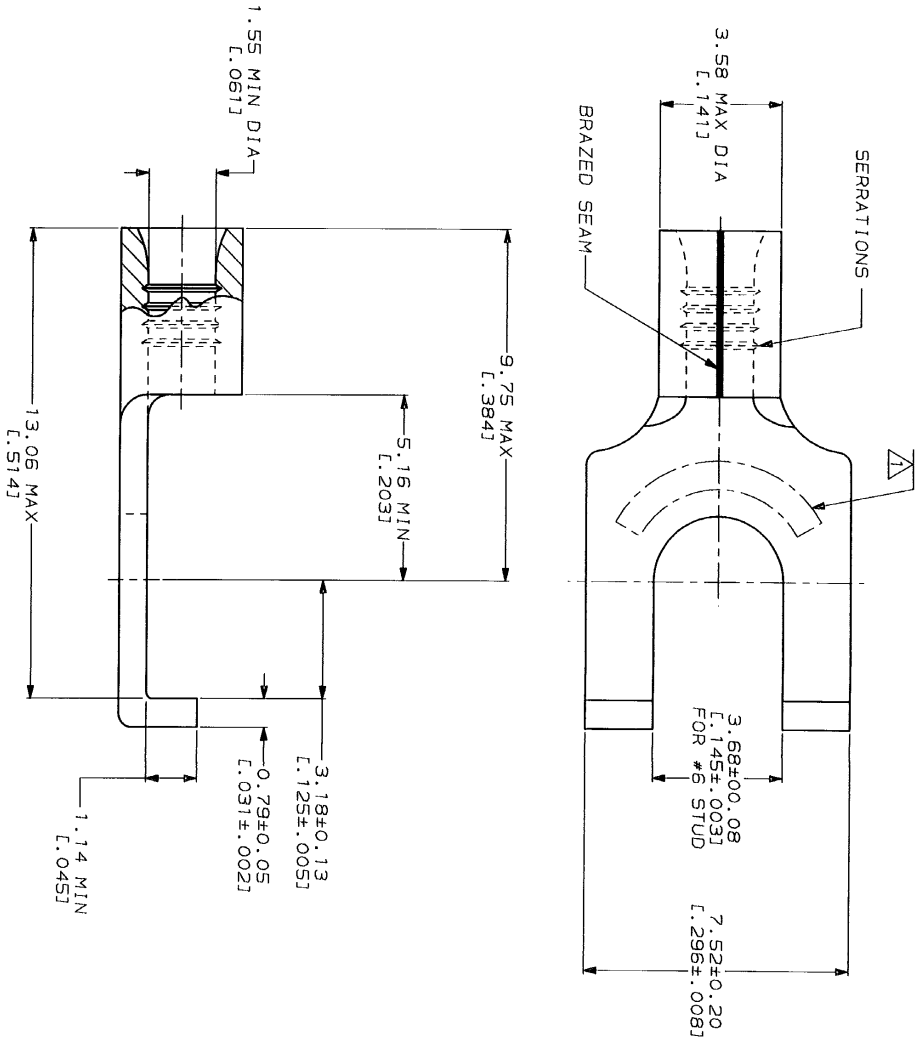


REV	DATE	APPROV	DESCRIPTION
6	14		REV, RDRM, & SM PKG PER 0720-0040-93



AMP WIRE RANGE	UL E13298 Listed
22-16 AWG SOLID OR STRANDED	22-16 AWG SOLID OR STRANDED
LR7189 Certified	MILITARY P/N AND CLASS
22-16 AWG SOLID OR STRANDED	NOT APPLICABLE

STAMP AMP 22-18* APPROX AS SHOWN
 22-16 TERMINALS ARE STAMPED 22-18 IN
 ACCORDANCE WITH MILITARY SPECIFICATION
 MIL-T-7928, COMMERCIAL WIRE RANGE IS 22-16



**AMP INCORPORATED
 CUSTOMER SERVICE SYSTEMS**

FOR ADDITIONAL PRODUCT INFORMATION OR COPIES OF DRAWINGS AND TECHNICAL DOCUMENTS	PRODUCT INFORMATION CENTER 1-800-522-6752
FOR APPLICATION TOOLING INFORMATION	TOOLING ASSISTANCE CENTER 1-800-722-1111
FOR ORDER ENTRY	1-800-526-5142

MAX RECOMMENDED OPERATING TEMPERATURE:
 170°C MAX

DO NOT SCALE PRINT.
 UNLESS SPECIFIED TOLERANCES IN MILLIMETERS

OR 4-8-93
 TA BRINKMAN
 CHK 4-8-93
 DA PATTERSON

NAME	AMP Incorporated Harrisburg, PA 17105-3608
------	---

VOLTAGE RATING:
 NOT APPLICABLE

WIRE CROSS SECTIONAL AREA RANGE:
 0.26-1.65mm² (509-3,260) CIR MILS
 SOLID OR STRANDED

FINISH: TIN PLATE
 0.00254L (0.00100) MIN THK PER MIL-1-10727

OR 4-8-93
 DE MILLER
 APPD 4-8-93
 JL MECKLEY
 PRODUCT SPEC

NAME	TERMINAL, FLANGED SPADE, SOLISTRAND™
------	--------------------------------------

THIS DRAWING IS THE PROPERTY OF AMP INCORPORATED. IT IS TO BE USED FOR THE MANUFACTURE OF THE PARTS SPECIFIED THEREIN. IT IS TO BE KEPT IN THE MANUFACTURING DEPARTMENT OF THE CUSTOMER'S PLANT.

APPLICATION SPEC
 WEIGHT -

SIZE	CAGE CODE	DRAWING NO
SCALE 10:1	00779	320749
		SHEET 1 OF 1