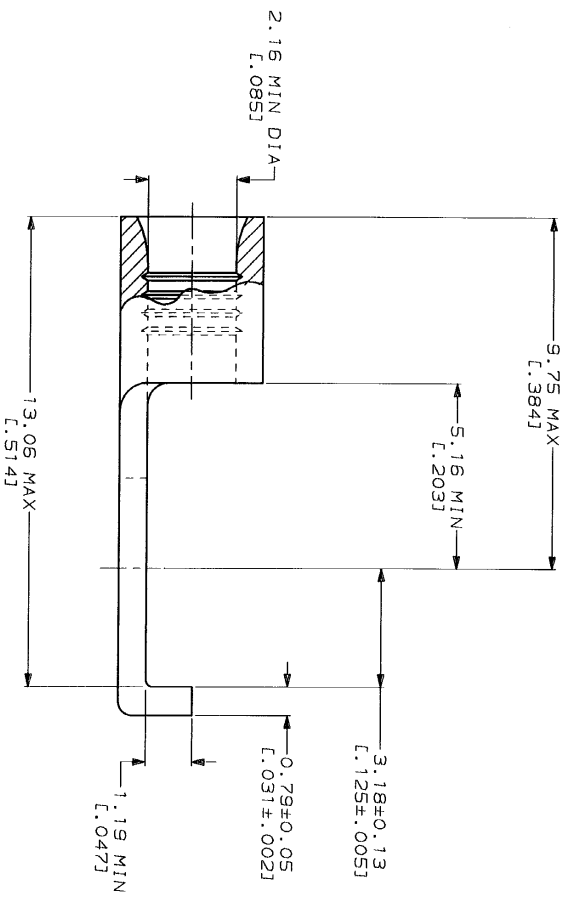
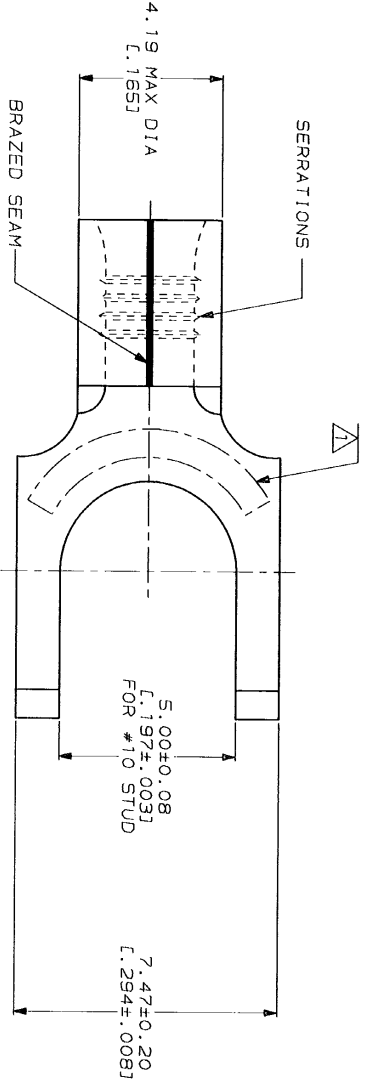


REV	DATE	BY	APP'D
1			
2			
3			
4			



AMP WIRE RANGE	UL E13288 Listed
16-14 AWG SOLID OR STRANDED	16-14 AWG SOLID OR STRANDED
LR7189 Certified	MILITARY P/N AND CLASS
16-14 AWG SOLID OR STRANDED	NOT APPLICABLE



AMP INCORPORATED
CUSTOMER SERVICE SYSTEMS

FOR ADDITIONAL PRODUCT INFORMATION OR COPIES OF DRAWINGS AND TECHNICAL DOCUMENTS	PRODUCT INFORMATION CENTER 1-800-522-6752
FOR APPLICATION TOOLING INFORMATION	TOOLING ASSISTANCE CENTER 1-800-722-1111
FOR ORDER ENTRY	1-800-526-5142

MAX RECOMMENDED OPERATING TEMPERATURE:
170°C MAX

VOLTAGE RATING:
NOT APPLICABLE

WIRE CROSS SECTIONAL AREA RANGE:
1.04-2.62mm² (2.050-5.180 CIR MILS)
SOLID OR STRANDED

DO NOT SCALE PRINT. UNLESS SPECIFIED DIMENSIONS IN mm (INCHES) TOLERANCES ON ±

FINISH: TIN PLATE
0.00254 (0.00100) MIN THK PER MIL-T-10727

DR	DATE	BY	APP'D	DESCRIPTION
4-8-83		TA BRINKMAN		CHK 4-8-83
4-8-83		DA PATTERSON		DA PATTERN
4-8-83		DE MILLER		APP'D DE MILLER
4-8-83		DA PATTERSON		APP'D DA PATTERSON

QTY	DESCRIPTION	PART NO
100	LOOSE PIECE, BOX	8-320857-1
5000	ON TAPE	2-320857-1
---	LOOSE PIECE	320857

AMP INCORPORATED HARRISBURG, PA 17105-3608	TERMINAL, FLANGED SPADE, SOLISTRAND™
SIZE: 00779	DRAWING NO: 320857
SCALE: 10:1	SHEET: 1 OF 1