

4

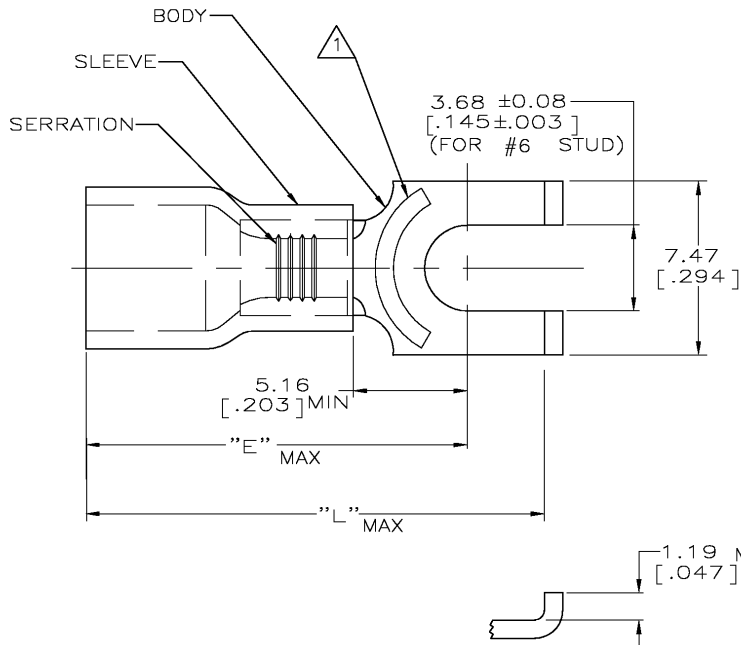
3

2

1

THIS DRAWING IS UNPUBLISHED. RELEASED FOR PUBLICATION
 © COPYRIGHT - BY TYCO ELECTRONICS CORPORATION. ALL RIGHTS RESERVED.

LOC	DIST	REVISIONS					
		P	LTR	DESCRIPTION	DATE	DWN	APVD
G	14			REV PER OG3A-0832-04	28JAN05	JR	TM



AMP WIRE RANGE	Listed FILE E13288	LR7189 Certified
16-14 AWG SOLID OR STRANDED	16-14 AWG SOLID OR STRANDED	16-14 AWG SOLID OR STRANDED

- ① STAMP AMP 16-14* APPROX AS SHOWN
- 2. SEE TABLE FOR WIRE INSUL DIA
- 3. TONGUE MATL THK, 0.79±0.05 [.031±.002]
- ④ MATERIAL: BODY - CU PER ASTM B152
SLEEVE - PVC, COLOR - BLUE

15.72 [.619]	19.02 [.749]	3.00-4.90 [.118-.193]	100	LOOSE PIECE,BOX	8-324165-1
16.97 [.668]	20.27 [.798]	3.81-6.35 [.150-.250]	2500	ON TAPE,REEL	2-324165-4
15.72 [.619]	19.02 [.749]	3.00-4.90 [.118-.193]	5000	ON TAPE,REEL	2-324165-1
15.72 [.619]	19.02 [.749]	3.00-4.90 [.118-.193]	1000	LOOSE PIECE	324165
"E"	"L"	WIRE INSUL DIA	QTY	PACKAGE TYPE	PART NO

AMP INCORPORATED CUSTOMER SERVICE SYSTEMS		MAX RECOMMENDED OPERATING TEMPERATURE: 105°C	THIS DRAWING IS A CONTROLLED DOCUMENT.		DWN L OLMEDA OSSEP95	Tyco Electronics Corporation Harrisburg, Pa 17105-3608
FOR ADDITIONAL PRODUCT INFORMATION OR COPIES OF DRAWINGS AND TECHNICAL DOCUMENTS 1-800-522-6752	PRODUCT INFORMATION CENTER	VOLTAGE RATING: 600V MAX (1000V FIXTURE OR SIGN)	DIMENSIONS: mm [INCHES]	TOLERANCES UNLESS OTHERWISE SPECIFIED: 0 PLC ± - 1 PLC ± - 2 PLC ± 0.20 [.008] 3 PLC ± - 4 PLC ± -	CHK M ELLIS OSSEP95	
FOR APPLICATION TOOLING ASSISTANCE CENTER 1-800-722-1111	TOOLING INFORMATION	CIRCULAR MIL AREA: 1.04-2.62mm² [2,050-5,180] SOLID OR STRANDED		FINISH TIN PER ASTM B545	APVD G NGO OSSEP95	PRODUCT SPEC UL 486A
FOR ORDER ENTRY 1-800-526-5142	THIS DRAWING IS A CONTROLLED DOCUMENT FOR AMP INCORPORATED. IT IS SUBJECT TO CHANGE AND THE CONTROLLING ENGINEERING ORGANIZATION SHOULD BE CONTACTED FOR THE LATEST REVISION.		MATERIAL - ④		APPLICATION SPEC	TERMINAL, SPADE, FLANGED, PLASTI-GRIP, 16-14 AWG
					WEIGHT	SIZE A3
					CUSTOMER DRAWING	CAGE CODE 00779
						DRAWING NO 324165
						RESTRICTED TO
						SCALE 6:1
						SHEET 1 OF 1
						REV K

AMP 1470-19 REV 31MAR2000