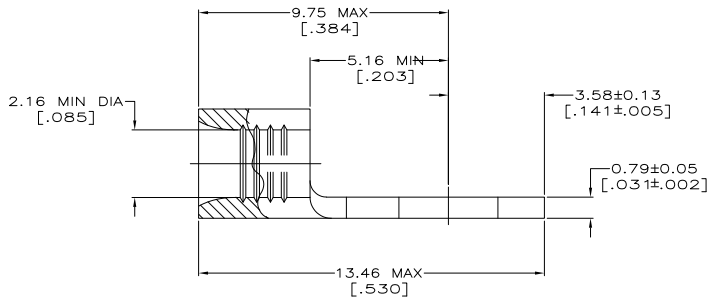
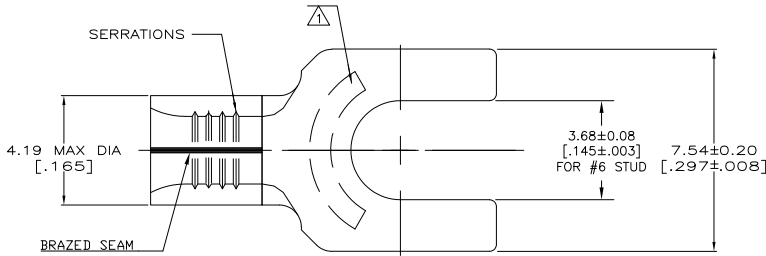


THIS DRAWING IS UNPUBLISHED. RELEASED FOR PUBLICATION. ALL RIGHTS RESERVED.

LOC	QTY	REV	DESCRIPTION	DATE	BY	APP
G	14	C2	REVISED PER ECO-11-005027	11MAR11	RK	HMR



AMP WIRE RANGE	UL Listed FILE E13288	UL Certified LR7189
16-14 AWG SOLID OR STRANDED	16-14 AWG SOLID OR STRANDED	16-14 AWG SOLID OR STRANDED

- 1 STAMP AMP 16-14*, APPROX AS SHOWN
- 2 COPPER PER ASTM B-152, ANNEALED
- 3 0.00254 [.000100] MIN TIN PER ASTM B-545

QTY	PACKAGE TYPE	PART NUMBER
100	LOOSE PIECE, BOX	8-322996-1
5000	ON TAPE	2-322996-1
--	LOOSE PIECE	322996

CUSTOMER SERVICE SYSTEMS	
FOR ADDITIONAL PRODUCT INFORMATION OR COPIES OF DRAWINGS AND TECHNICAL DOCUMENTS	PRODUCT INFORMATION CENTER 1-800-522-6752
FOR APPLICATION	TOOLING ASSISTANCE CENTER 1-800-722-1111
FOR ORDER ENTRY	1-800-526-5142

MAX. RECOMMENDED OPERATING TEMPERATURE:	170°C MAX
VOLTAGE RATING:	N/A
CIRCULAR MIL AREA:	1.04-2.62mm ² [2,050-5,180] SOLID OR STRANDED

DIMENSIONS:	TOLERANCES UNLESS OTHERWISE SPECIFIED:
mm(INCHES)	0 PLG ± -
	1 PLG ± -
	2 PLG ± 0.20 [008]
	3 PLG ± -
	4 PLG ± -
	ANGLES ± -
MATERIAL	FINISH

THIS DRAWING IS A CONTROLLED DOCUMENT.		TE Connectivity	
BY: TA BRINKMAN	1-28-93	TE TE Connectivity	
CHK: DA PATTERSON	1-28-93	TERMINAL, SPADE TONGUE, SOLISTRAND	
APP: JL MECKLEY	1-28-93	SIZE: A2	CAGE CODE: 00779
PRODUCT SPEC: -		DRAWING NO: 322996	RESTRICTED TO: -
APPLICATION SPEC: -		SCALE: 10:1	SHEET: 1 of 1
WEIGHT: -		CUSTOMER DRAWING	REV: C2