

4

3

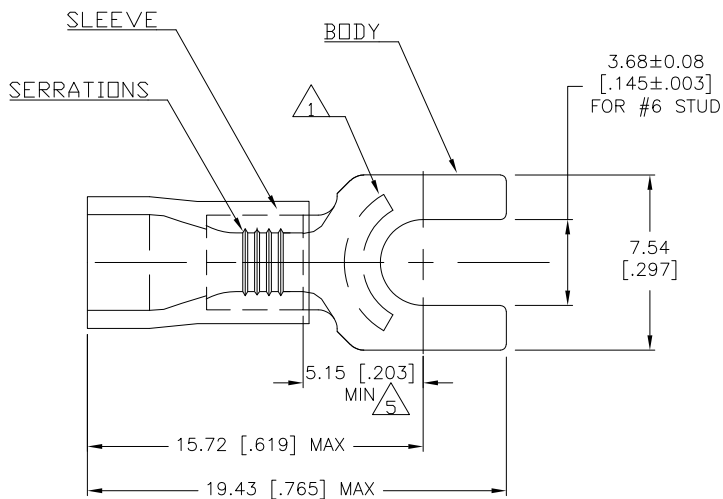
2

1

THIS DRAWING IS UNPUBLISHED. RELEASED FOR PUBLICATION  
 © COPYRIGHT - By - ALL RIGHTS RESERVED.

LOC	DIST	REVISIONS			
P	LTR	DESCRIPTION	DATE	DWN	APVD
G	14	H2	REVISED PER ECO-11-004917	11MAR11	RK HMR

AMP WIRE RANGE	Listed FILE E13288	LR7189 Certified
16-14 AWG STRANDED	16-14 AWG STRANDED	16-14 AWG STRANDED



1. STAMP AMP 16-14\* LOCATE APPROX AS SHOWN
2. WIRE INSUL DIA., 2.67-3.68 [.105-.145]
3. TONGUE MATL THK, 0.79 ±0.05 [.031±.002]
4. MATERIAL: BODY - CU PER ASTM B152  
SLEEVE - PVC, COLOR - BLUE
5. APPLIES FROM THE METAL EDGE OF BARREL TO THE CENTER OF THE STUD HOLE
6. REPLACED BY 322994

QTY	PACKAGE TYPE	PART NO
50	LOOSE PIECE, BAG	8-322994-5
5	LOOSE PIECE, BLS	8-322994-4
100	LOOSE PIECE, BOX	8-322994-1
5000	ON TAPE, REEL	2-322994-1
1000	LOOSE PIECE	322994

6. OBSOLETE

AMP INCORPORATED CUSTOMER SERVICE SYSTEMS		MAX RECOMMENDED OPERATING TEMPERATURE: 105°C [221° F]	THIS DRAWING IS A CONTROLLED DOCUMENT.		DWN G VINSON 03NOV94	TE Connectivity	
FOR ADDITIONAL PRODUCT INFORMATION OR COPIES OF DRAWINGS AND TECHNICAL DOCUMENTS	PRODUCT INFORMATION CENTER 1-800-522-6752	VOLTAGE RATING: 600V MAX (1000V FIXTURE OR SIGN)	DIMENSIONS: mm[INCHES]	1 2 3 4 5 6 7 8 9 10 11 12 13 14 15 16 17 18 19 20 21 22 23 24 25 26 27 28 29 30 31 32 33 34 35 36 37 38 39 40 41 42 43 44 45 46 47 48 49 50 51 52 53 54 55 56 57 58 59 60 61 62 63 64 65 66 67 68 69 70 71 72 73 74 75 76 77 78 79 80 81 82 83 84 85 86 87 88 89 90 91 92 93 94 95 96 97 98 99 100	CHK M ELLIS 03NOV94	NAME	
FOR APPLICATION	TOOLING ASSISTANCE CENTER 1-800-722-1111	CIRCULAR MIL AREA: 1.04-2.62mm²[2,050-5,180] STRANDED		0 PLC ± - 1 PLC ± - 2 PLC ± 0.20 [.008] 3 PLC ± - 4 PLC ± - 5 ANGLES ± -	APVD G NGO 03NOV94	PRODUCT SPEC UL486A	
TOOLING INFORMATION	1-800-722-1111		MATERIAL	FINISH	APPLICATION SPEC	SIZE	CAGE CODE
FOR ORDER ENTRY	1-800-526-5142	THIS DRAWING IS A CONTROLLED DOCUMENT FOR AMP INCORPORATED. IT IS SUBJECT TO CHANGE AND THE CONTROLLING ENGINEERING ORGANIZATION SHOULD BE CONTACTED FOR THE LATEST REVISION.		-	-	A3	00779
					WEIGHT	DRAWING NO	RESTRICTED TO
					-	C-322994	-
					CUSTOMER DRAWING	SCALE	SHEET
						6:1	1 OF 1
							REV
							H2

1470-19 (3/11)