

4

3

2

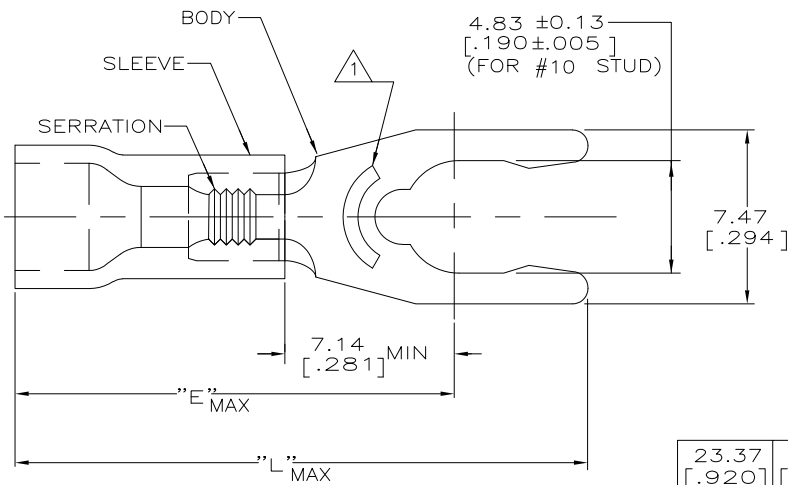
1

THIS DRAWING IS UNPUBLISHED. RELEASED FOR PUBLICATION  
 © COPYRIGHT - BY TYCO ELECTRONICS CORPORATION. ALL RIGHTS RESERVED.

LOC	DIST	REVISIONS			
P	LTR	DESCRIPTION	DATE	DWN	APVD
G	14	REV PER ECR 10-005023	05MAR10	JR	TM

<b>AMP</b> WIRE RANGE	Listed FILE E13288	LR7189 Certified
22-16 AWG SOLID OR STRANDED	22-16 AWG SOLID OR STRANDED	22-16 AWG SOLID OR STRANDED

- ① STAMP 10S AMP 22-18\* APPROX AS SHOWN  
22-16 TERMINALS ARE STAMPED 22-18 IN  
ACCORDANCE WITH MILITARY SPEC MIL-T-7928  
COMMERCIAL WIRE RANGE IS 22-16
- 2. SEE TABLE FOR WIRE INSUL DIA
- 3. TONGUE MATL THK, 0.79±0.05 [.031±.002]
- ④ MATERIAL: BODY - BRASS PER ASTM B36  
SLEEVE - PVC, COLOR - RED



23.37 [.920]	17.70 [.697]	2.67-3.56 [.105-.140]	100	LOOSE PIECE, BOX SPL	8-53242-5
24.61 [.969]	18.95 [.746]	3.81-5.08 [.150-.200]	2500	ON TAPE, REEL	53242-6
24.61 [.969]	18.95 [.746]	3.81-5.08 [.150-.200]	1000	LOOSE PIECE	53242-5
23.37 [.920]	17.70 [.697]	2.67-3.56 [.105-.140]	5000	ON TAPE, REEL	53242-2
23.37 [.920]	17.70 [.697]	2.67-3.56 [.105-.140]	1000	LOOSE PIECE	53242-1
L	E	WIRE INSUL DIA	QTY	PACKAGE TYPE	PART NO

AMP INCORPORATED CUSTOMER SERVICE SYSTEMS		MAX RECOMMENDED OPERATING TEMPERATURE: 105°C [221°F]	THIS DRAWING IS A CONTROLLED DOCUMENT.		DWN L OLMEDA 26JUN95	Tyco Electronics Corporation Harrisburg, Pa 17105-3608	
FOR ADDITIONAL PRODUCT INFORMATION OR COPIES OF DRAWINGS AND TECHNICAL DOCUMENTS	PRODUCT INFORMATION CENTER 1-800-522-6752	VOLTAGE RATING: 600V MAX (1000V FIXTURE OR SIGN)	DIMENSIONS: mm [INCHES]	TOLERANCES UNLESS OTHERWISE SPECIFIED:	CHK M ELLIS 26JUN95	NAME	TERMINAL, SPRING SPADE, SHORT, PLASTI-GRIP, WIRE SIZE: 22-16
FOR APPLICATION	TOOLING ASSISTANCE CENTER 1-800-722-1111	CIRCULAR MIL AREA: 0.26-1.65mm² [509-3260] SOLID OR STRANDED	0 PLC ± -	1 PLC ± -	APVD G NGO 26JUN95	PRODUCT SPEC	UL 486A
TOOLING INFORMATION	1-800-722-1111		2 PLC ± 0.20 [008]	3 PLC ± -	APPLICATION SPEC	SIZE	A3
FOR ORDER ENTRY	1-800-526-5142	THIS DRAWING IS A CONTROLLED DOCUMENT FOR AMP INCORPORATED. IT IS SUBJECT TO CHANGE AND THE CONTROLLING ENGINEERING ORGANIZATION SHOULD BE CONTACTED FOR THE LATEST REVISION.	MATERIAL	FINISH	WEIGHT	CAGE CODE	00779
			④	TIN PER ASTM B545		DRAWING NO	53242
					CUSTOMER DRAWING		RESTRICTED TO
					SCALE	6:1	SHEET 1 OF 1

AMP 1470-19 REV 31MAR2000

H:\dmtecm\53242\_1-c.dwg