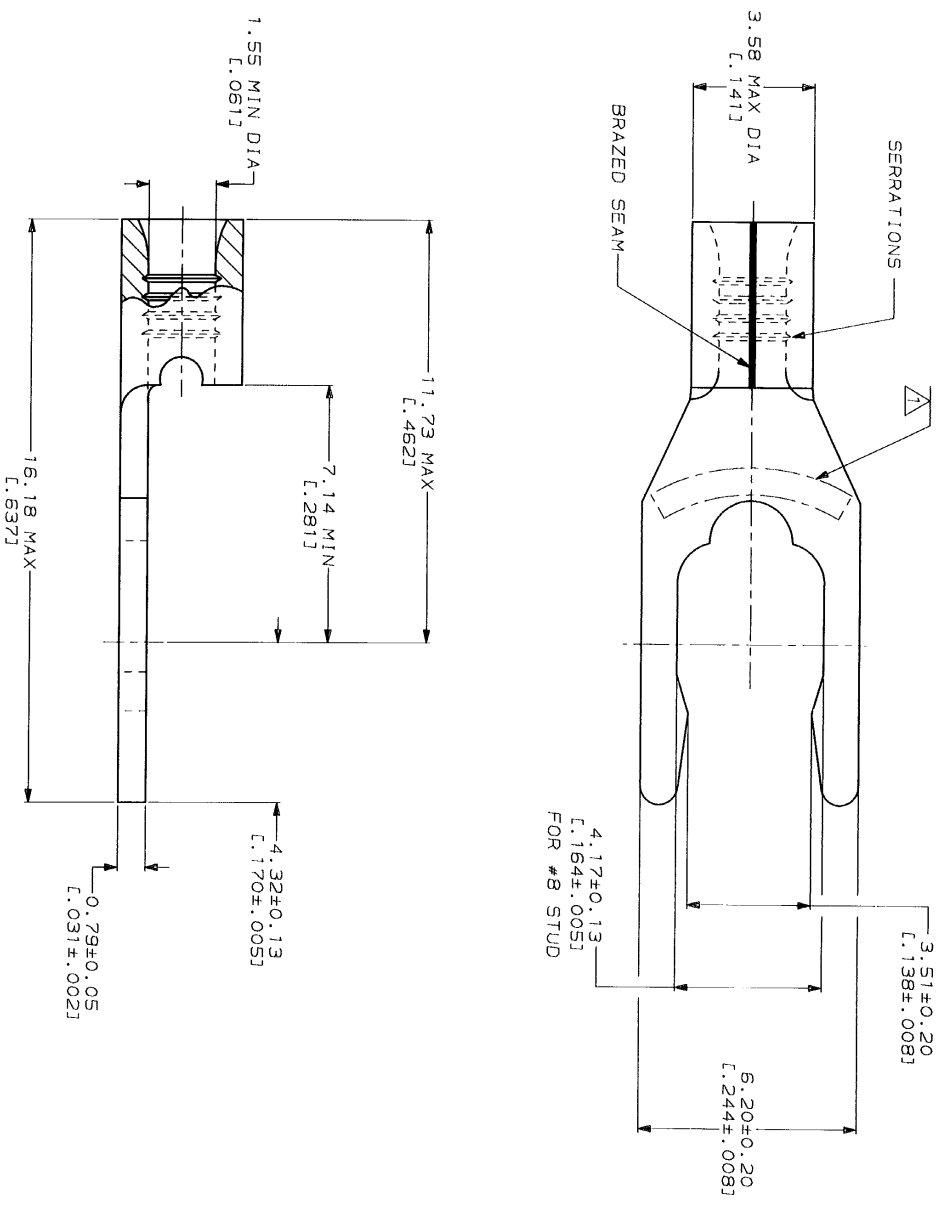


LOC	QTY	REV	DATE	APP'D
G 14	P	B	REV, RDRW, & SM PKG PER 0720-0040-93	3-29-93



AMP WIRE RANGE	E13288 Listed
22-16 AWG SOLID OR STRANDED	22-16 AWG SOLID OR STRANDED
LR2189 Certified	MILITARY P/N AND CLASS
22-16 AWG SOLID OR STRANDED	NOT APPLICABLE

△ STAMP 85 AMP 22-18* APPROX AS SHOWN
22-16 TERMINALS ARE STAMPED 22-18 IN
ACCORDANCE WITH MILITARY SPECIFICATION
MIL-T-7928, COMMERCIAL WIRE RANGE IS 22-16
85 INDICATES STUD SIZE



**AMP INCORPORATED
CUSTOMER SERVICE SYSTEMS**

FOR ADDITIONAL PRODUCT INFORMATION OR COPIES OF DRAWINGS AND TECHNICAL DOCUMENTS	PRODUCT INFORMATION CENTER 1-800-522-6752
FOR APPLICATION TOOLING INFORMATION	TOOLING ASSISTANCE CENTER 1-800-722-1111
FOR ORDER ENTRY	1-800-528-5142

MAX RECOMMENDED OPERATING
TEMPERATURE: 170°C MAX

VOLTAGE RATING:
NOT APPLICABLE

WIRE CROSS SECTIONAL AREA RANGE:
0.26-1.65mm² (509-3,260) CIR MILS
SOLID OR STRANDED

DO NOT SCALE PRINT.
UNLESS SPECIFIED OTHERWISE—
TOLERANCES: 0.1%
2 PLG DEC # -
3 PLG DEC # -
MATERIAL
PHOSPHOR BRONZE
PER ASTM B-103
ANNEALED

FINISH: TIN PLATE
0.00254(.000100) MIN
THK PER MIL-T-10727

DR 3-29-93 TA BRINKMAN
CHK 3-29-93 DA PATTERSON
APPD 3-29-93 DE MILLER
APPD 3-29-93 JL MECKLEY
PRODUCT SPEC
APPLICATION SPEC

QUANTITY	NAME	PACKAGING TYPE	PART NO
100	LOOSE PIECE, BOX		8-53831-1
5000	ON TAPE		53831-2
---	LOOSE PIECE		53831-1

AMP	AMP Incorporated Harrisburg, PA 17105-3608
TERMINAL, SHORT SPRING SPADE, SOLI STRAND™	
SIZE: CAGE CODE: DRAWING NO: 00779 53831	
SCALE: 10:1	

CUSTOMER DRAWING 1 OF 1