

4

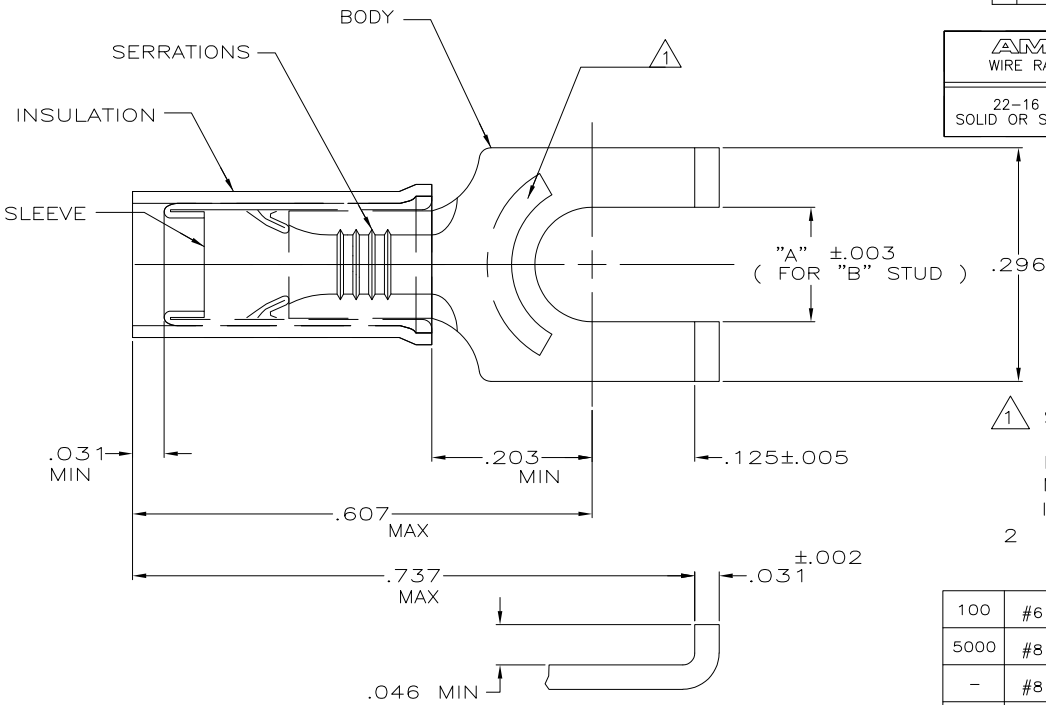
3

2

1

THIS DRAWING IS UNPUBLISHED. RELEASED FOR PUBLICATION
 © COPYRIGHT - By - ALL RIGHTS RESERVED.

LOC	DIST	REVISIONS			
P	LTR	DESCRIPTION	DATE	DWN	APVD
G	14	S1	REVISED PER ECO-11-004820	11MAR11	RK HMR



AMP WIRE RANGE	Listed	LR7189 Certified
22-16 AWG SOLID OR STRANDED	22-16 AWG SOLID OR STRANDED	22-16 AWG SOLID OR STRANDED

- 1 STAMP AMP 22-18* APPROX AS SHOWN
22-16 TERMINALS ARE STAMPED 22-18
IN ACCORDANCE WITH MILITARY SPEC
MIL-T-7928, COMMERCIAL WIRE RANGE
IS 22-16.
- 2 WIRE INSULATION DIA IS .105-.140

100	#6	.145	LOOSE PIECE, BOX	8-32562-1
5000	#8	.171	ON TAPE, REEL	2-32562-3
-	#8	.171	LOOSE PIECE	2-32562-2
5000	#6	.145	ON TAPE, REEL	2-32562-1
-	#6	.145	LOOSE PIECE	32562
QTY	"B"	"A"	DESCRIPTION	PART NO.

**AMP INCORPORATED
CUSTOMER SERVICE SYSTEMS**

FOR ADDITIONAL PRODUCT INFORMATION OR COPIES OF DRAWINGS AND TECHNICAL DOCUMENTS	PRODUCT INFORMATION CENTER 1-800-522-6752
FOR APPLICATION TOOLING INFORMATION	TOOLING ASSISTANCE CENTER 1-800-722-1111
FOR ORDER ENTRY	1-800-526-5142

MAX RECOMMENDED OPERATING TEMPERATURE:	105° C MAX
VOLTAGE RATING:	300 V MAX
WIRE CROSS SECTIONAL AREA RANGE:	0.26-1.65mm ² [509-3,260] CIR MILS SOLID OR STRANDED

THIS DRAWING IS A CONTROLLED DOCUMENT.

DIMENSIONS: INCHES	TOLERANCES UNLESS OTHERWISE SPECIFIED:
	0 PLC ± -
	1 PLC ± -
	2 PLC ± -
	3 PLC ± .008
	4 PLC ± -
	ANGLES ± -
MATERIAL BODY & SLEEVE: COPPER PER ASTM B152 INSULATION: NYLON-RED	FINISH BODY: TIN PLATE PER ASTM B545

DWN JR RUTH 24JUL02	TE Connectivity
CHK T MICHELUTTI 24JUL02	
APVD T MICHELUTTI 24JUL02	
NAME	WIRE TERMINAL, PIDG, FLANGED SPADE, 22-16 AWG
SIZE	A3
CAGE CODE	00779
DRAWING NO	C-32562
RESTRICTED TO	-
CUSTOMER DRAWING	SCALE 8:1
SHEET	1 OF 1
REV	S1