

4

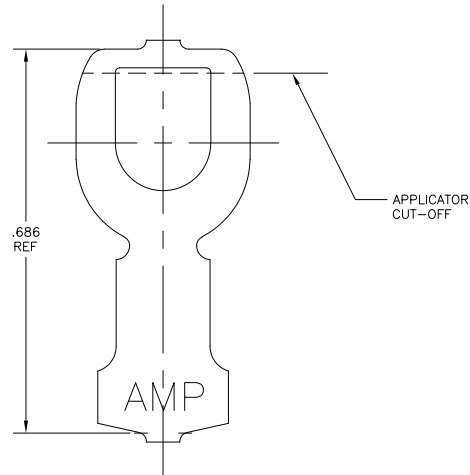
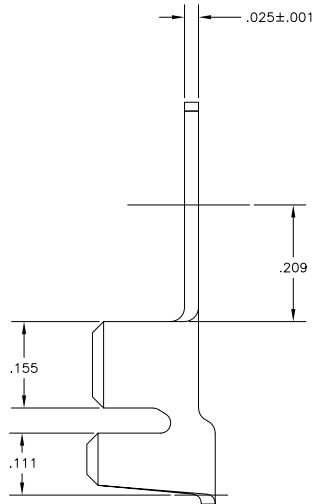
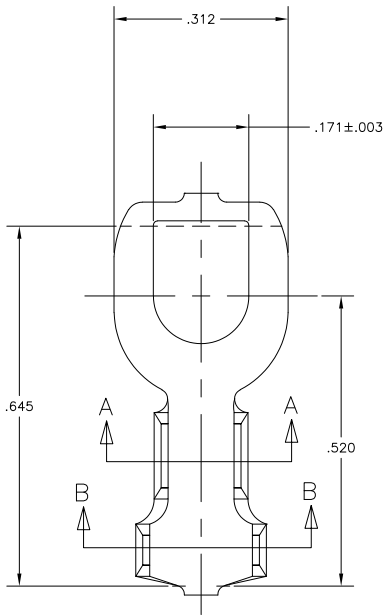
3

2

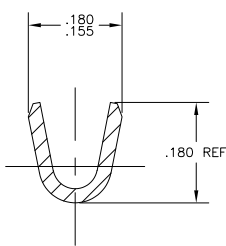
1

THIS DRAWING IS UNPUBLISHED. RELEASED FOR PUBLICATION  
 © COPYRIGHT BY TYCO ELECTRONICS CORPORATION. ALL RIGHTS RESERVED.

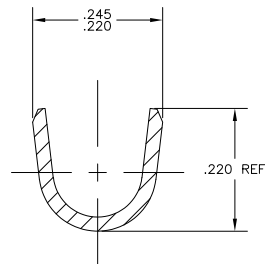
LOC	DIST	REVISIONS		
P	LTR	DESCRIPTION	DATE	BY
AF	50	F	REVISED PER ECR-10-006099	07JUL10 HMR PD



1. CONTINUOUS STRIP ON REELS.
2. WIRE SIZE: #18-#14 AWG.
3. INSULATION RANGE: .130-.180 DIA



SECTION A-A



SECTION B-B

	TIN	60251-2
OBSOLETE		60251-1
	FINISH	PART NUMBER

THIS DRAWING IS A CONTROLLED DOCUMENT.		DWG: MICHAEL S. FEYER 27JUN2005 CHK: DONALD F. DECKER 01MAY2005 APD: DONALD F. DECKER 01MAY2005 PRODUCT SPEC:	Tyco Electronics Corporation Harrisburg, Pa 17105-3608 <b>Tyco Electronics</b>
DIMENSIONS: INCHES:	DIMENSIONS: MILLIMETERS:	APPLICATION SPEC: WEIGHT:	SIZE: A2 CASE CODE: 00779 DRAWING NO: C-60251 RESTRICTED TO:
MATERIAL: 082 BRASS	FINISH: SEE TABLE	CUSTOMER DRAWING	SCALE: 8:1 SHEET: 1 OF 1 REV: F

AMP 1471-9 REV 31MM2000

60251

A