

4

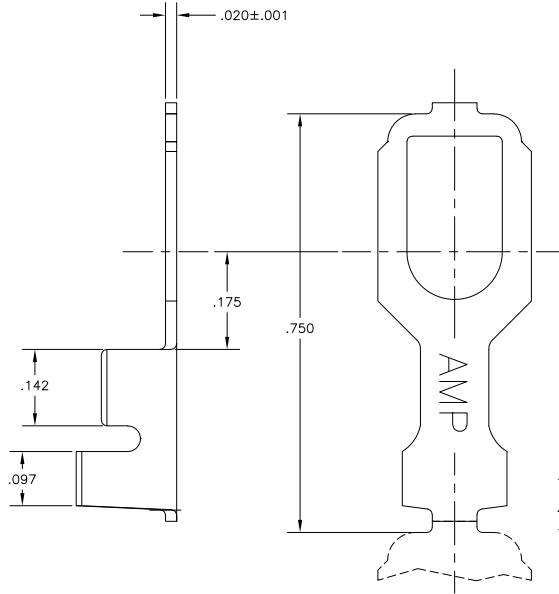
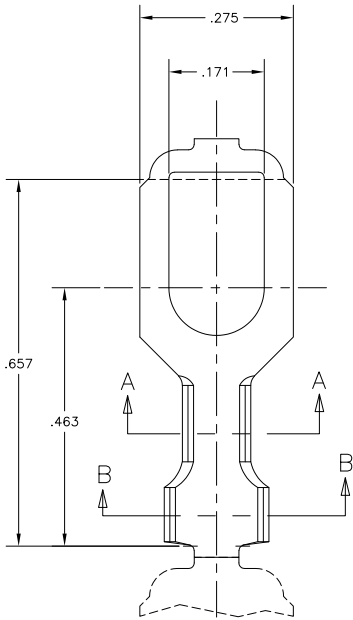
3

2

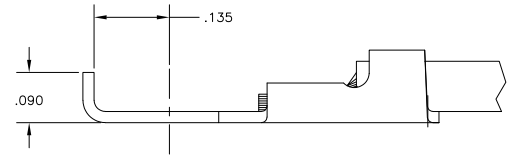
1

THIS DRAWING IS UNPUBLISHED. RELEASED FOR PUBLICATION
 © COPYRIGHT BY TYCO ELECTRONICS CORPORATION. ALL RIGHTS RESERVED.

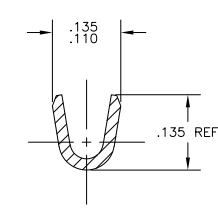
LOC	DIST	REVISIONS			
P	LTR	DESCRIPTION	DATE	BY	APP'D
AF	50				
		C	REVISED PER ECR-10-006099	07JUL10	HMR PD



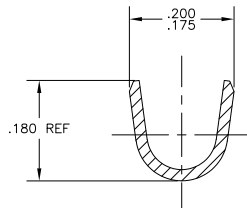
1. CONTINUOUS STRIP ON REELS.
 2. WIRE SIZE: #20-#16 AWG.
 3. INSULATION RANGE: .090-.130 DIA.
- △ SUFFIX LETTER MUST BE USED ONLY WHEN ORDERING APPLICATOR TOOLING.



FLANGED IN △
 APPLICATOR



SECTION A-A



SECTION B-B

FLANGED △	41343-A
FLAT	41343
STYLE	PART NUMBER
Tyco Electronics Corporation Harrisburg, Pa 17105-3608	
TERMINAL, SPADE 8 STUD SIZE	
SIZE	CAGE CODE DRAWING NO
A2	00779 C=41343
CUSTOMER DRAWING	RESTRICTED TO
SCALE: 8:1	SHEET 1 OF 1 REV C

THIS DRAWING IS A CONTROLLED DOCUMENT.	
DIMENSIONS:	INCHES
0 PLC	8 -
1 PLC	8 -
2 PLC	8 -
3 PLC	8 -
4 PLC	8 -
ANGLES	8 -
MATERIAL	082 BRASS
FINISH	TIN

200EC2004	200EC2004
MICHAEL S. FEYER	04JAN2005
DONALD F. DECKER	04JAN2005
DONALD F. DECKER	04JAN2005
APPLICATION SPEC	
WEIGHT	
CUSTOMER DRAWING	

41343

A