

4

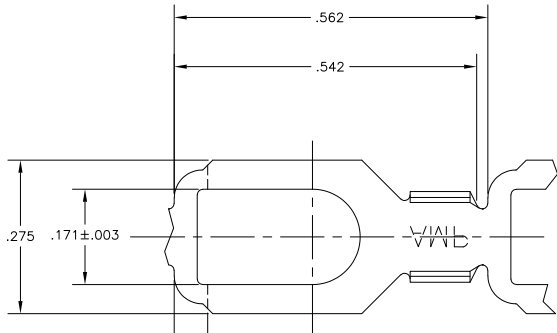
3

2

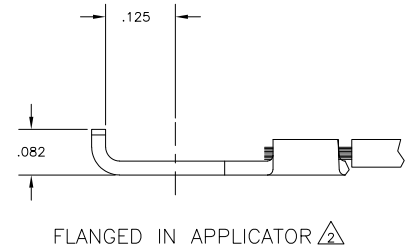
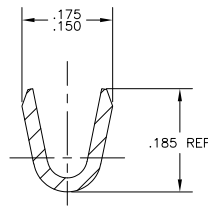
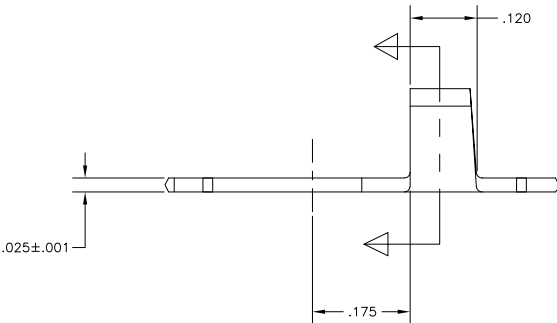
1

THIS DRAWING IS UNPUBLISHED. RELEASED FOR PUBLICATION
 BY TYCO ELECTRONICS CORPORATION. ALL RIGHTS RESERVED.

LOC		DIBT		REVISIONS		
P	LTR	DESCRIPTION	DATE	BY	APP'D	
AF	50					
	J	REVISED PER ECR-10-006099	06JUL10	HMR	PD	



- FOR NEW APPLICATIONS SEE PREFERRED MODERNIZED DESIGN 42320 GROUP AND 42321 GROUP.
- SUFFIX LETTER MUST BE USED ONLY WHEN ORDERING APPLICATOR TOOLING.
- CONTINUOUS STRIP ON REELS.
- REDEUCED PACKAGE QUANTITY.
- PRELIMINARY - NOT FOR PRODUCTION.



41473-1 A	18-14 AWG		41473-1	
41473 A	18-14 AWG		41473	
	FLANGED PART NUMBER	WIRE RANGE	PART NUMBER	

THIS DRAWING IS A CONTROLLED DOCUMENT.

DIMENSIONS: INCHES 	TOLERANCES UNLESS OTHERWISE SPECIFIED: 0 PLC ± .005 1 PLC ± .004 2 PLC ± .003 3 PLC ± .010 4 PLC ± .015 ANGLES ± .1°	DWG: MICHAEL S. FEHLER CK: DONALD F. DECKER APP: DONALD F. DECKER PRODUCT SPEC:	Tyco Electronics Corporation Harrisburg, PA 17105-3608 TERMINAL, SPADE
MATERIAL: 082 BRASS	FINISH: TIN	APPLICATION SPEC: -	SIZE: A2 CAGE CODE: 00779 DRAWING NO: C=41473 WEIGHT: - CUSTOMER DRAWING

RESTRICTED TO: -
 SCALE: 8:1 SHEET 1 OF 1 REV J

41473

A