

4

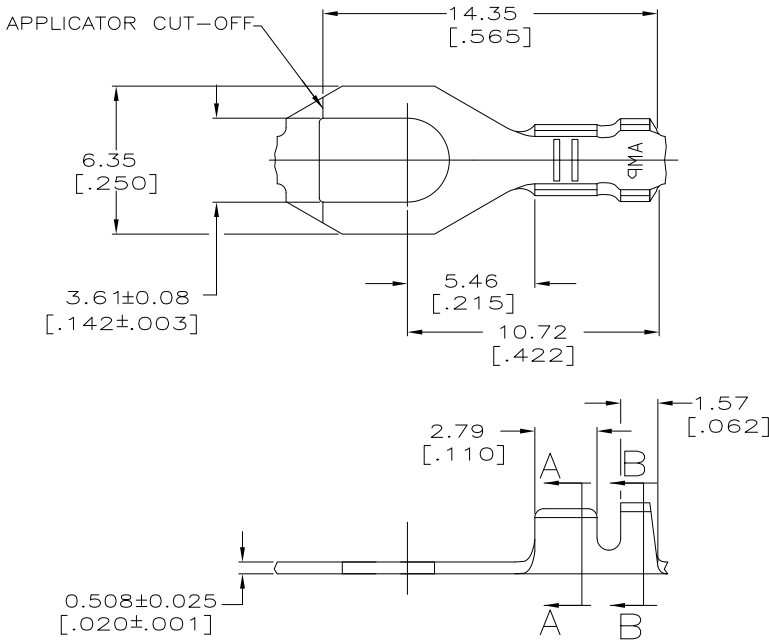
3

2

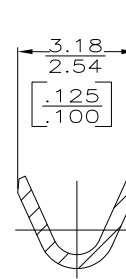
1

THIS DRAWING IS UNPUBLISHED. RELEASED FOR PUBLICATION
 © COPYRIGHT BY TYCO ELECTRONICS CORPORATION. ALL INTERNATIONAL RIGHTS RESERVED.

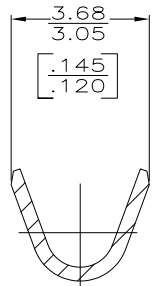
LOC	DIST	REVISIONS				
P	LTR	DESCRIPTION	DATE	DWN	APVD	
AF	50	N	REVISED PER ECR-10-006099	07JUL10	HMR PD	



1. CONTINUOUS STRIP ON REELS



SECTION A-A
SCALE 10:1



SECTION B-B
SCALE 10:1

1.22-1.98 [.048-.078] DIA	[26-20] AWG	60124-2
INSULATION RANGE	WIRE RANGE	PART NO

THIS DRAWING IS A CONTROLLED DOCUMENT.		DWN PHILLIP M. FORTNEY 09/OCT/96	Tyco Electronics Corporation Harrisburg, PA 17105-3608	
DIMENSIONS: mm [INCHES]		CHK JEFF R RUTH 09/OCT/96	NAME RING	
TOLERANCES UNLESS OTHERWISE SPECIFIED:		APVD GARY YETTER 09/OCT/96	RESTRICTED TO	
0 PLC ± -		PRODUCT SPEC	-	
1 PLC ± -		APPLICATION SPEC	-	
2 PLC ± -		WEIGHT	-	
3 PLC ± 0.38 [015]		SIZE	A3	00779
4 PLC ± -		CAGE CODE	C-60124	
ANGLES ± -		DRAWING NO	60124	
MATERIAL 082 BRASS	FINISH TIN	CUSTOMER DRAWING	SCALE 6:1	SHEET 1 OF 1
			REV N	