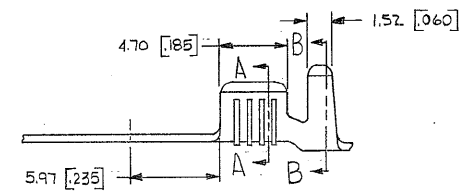
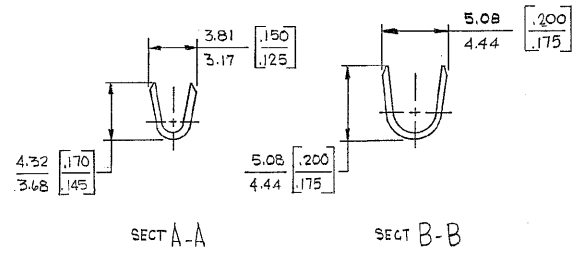
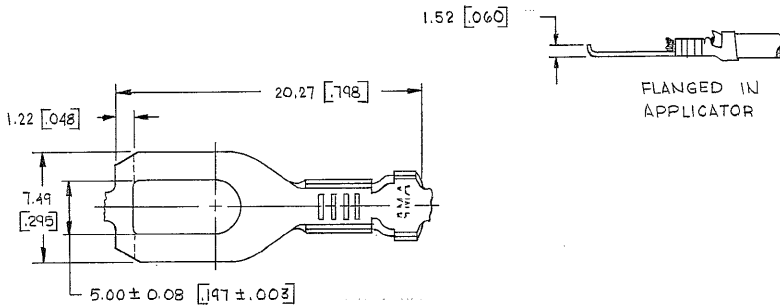


DRAWING MADE IN THIRD ANGLE PROJECTION

© COPYRIGHT 19 64 BY AMP INCORPORATED, HARRISBURG, PA. ALL INTERNATIONAL RIGHTS RESERVED. AMP INCORPORATED PRODUCTS COVERED BY U. S. AND FOREIGN PATENTS AND/OR PATENTS PENDING.

REVISIONS					
P	ZONE	LTR	DESCRIPTION	DATE	APPROVED
✓	D		REDRAWN & REVISED A-3943	6/21/78	DTA SS
✓	E		INSUL. SUPP. LENGTH AF-0781	2-20-86	RLT 44
✓	F		REVISED AF1994	7/1/86	SS/RRF
✓	G		QCS 60775-2 AF-3587	6/1/78	44
✓	H		REACTIVATE-2 PER 061A-0314-98	11/26/98	PNF/WJ

D  
C  
B  
A



#10	0.8 - 2.0mm <sup>2</sup>	2.54 - 3.56	TIN	60775-2A
STUD SIZE	WIRE RANGE	INSULATION RANGE	NONE	60775-2
SEE TABLE	SEE TABLE	SEE TABLE	0.46 [018]	60775-1A
FINISH	SEE TABLE	SEE TABLE	BRASS	60775-1
MATERIAL	CONTRACT NO	AMP INCORPORATED Harrisburg, Pa.		
SEE TABLE	DR D. Adon 6-26-78	NAME SPADE		
FINISH	CHK R. Schopfhaus 7-25-78	SIZE B	CODE IDENT NO 00779	DRAWING NO 60775
SEE TABLE	APPD R. P. Davis 8-8-78	SCALE	SHEET	
	APPD B. J. Clark 8-10-78	CUSTOMER DRAWING		

- CONTINUOUS STRIP ON REELS
  - DIMENSIONS IN BRACKETS ARE IN INCHES
- △ SUFFIX LETTER MUST BE USED ONLY WHEN ORDERING APPLICATOR TOOLING.

**METRIC**