

4

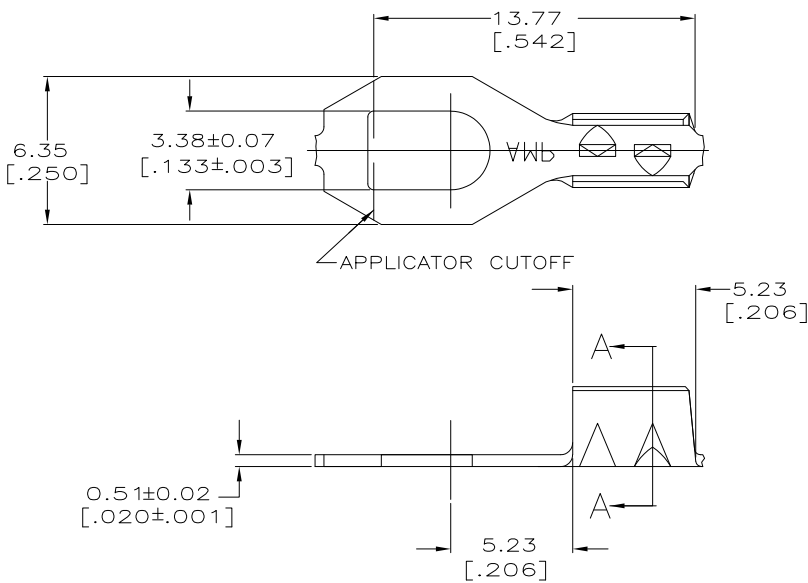
3

2

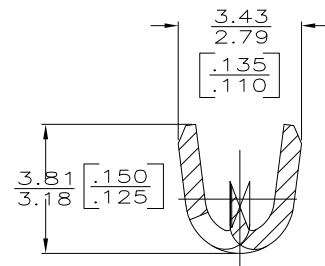
1

THIS DRAWING IS UNPUBLISHED. RELEASED FOR PUBLICATION
 © COPYRIGHT - BY TYCO ELECTRONICS CORPORATION. ALL INTERNATIONAL RIGHTS RESERVED.

LOC		DIST		REVISIONS			
P	LTR	DESCRIPTION		DATE	DWN	APVD	
G		REVISED PER ECR-10-006099		07JUL10	HMR	PD	



1 CONTINUOUS STRIP ON REELS



SECTION A-A
SCALE 10:1

1.65-2.03 [.065-.080]	42339-2
INSULATION RANGE	PART NO

0	2.79 [.110]	THIS DRAWING IS A CONTROLLED DOCUMENT.		DWN P FORTNEY 10/9/89	Tyco Electronics Corporation Harrisburg, PA 17105-3608
	TYPE INSUL BARREL CRIMP	WIDTH	DIMENSIONS: mm [INCHES]	TOLERANCES UNLESS OTHERWISE SPECIFIED:	
			0 PLC ± - 1 PLC ± - 2 PLC ± - 3 PLC ± 0.25 [.010] 4 PLC ± - ± - ANGLES ± -	FINISH TIN	SIZE A3 CAGE CODE 00779 DRAWING NO C-42339 RESTRICTED TO SCALE 6:1 SHEET 1 of 1 REV G