

4

3

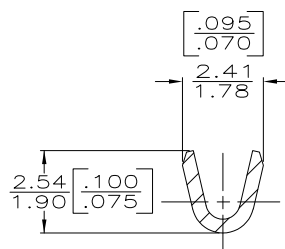
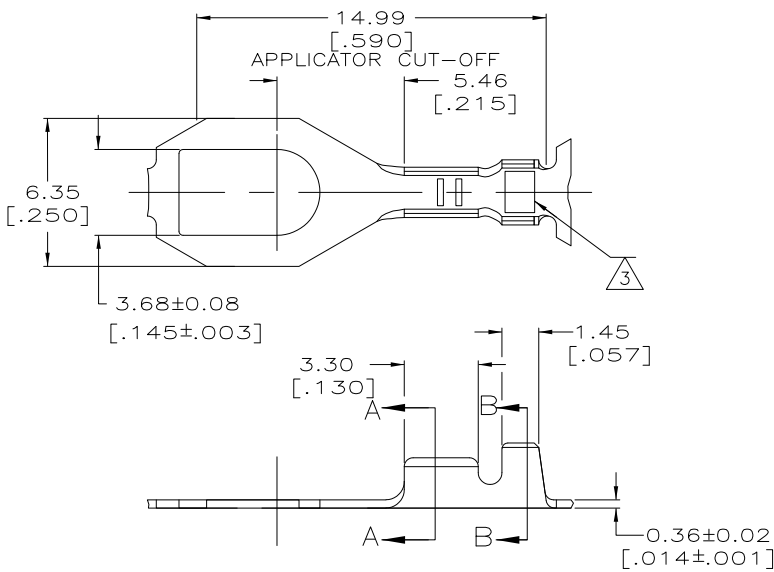
2

1

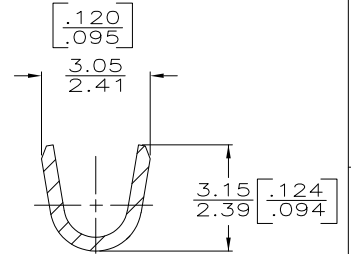
THIS DRAWING IS UNPUBLISHED. RELEASED FOR PUBLICATION
 © COPYRIGHT - BY TYCO ELECTRONICS CORPORATION. ALL INTERNATIONAL RIGHTS RESERVED.

LOC	DIST	REVISIONS				
P	LTR	DESCRIPTION	DATE	DWN	APVD	
AF	50	H	REVISED PER ECR-08-008189	24NOV08	HMR DD	

- 1 CONTINUOUS STRIP ON REELS
- 2 DIMENSIONS IN BRACKETS ARE IN INCHES
- △ STAMPING: AMP FOR 60445-2
AMP* FOR 60445-3



SECTION A-A
SCALE 10:1



SECTION B-B
SCALE 10:1

METRIC

H02 PHOS BRZ	M3.5	1.22-1.98	0.2-0.6mm ²	60445-3
082 BRASS	[#6]	[.048-.078]	[24-20]	60445-2
MATERIAL	STUD SIZE	INSULATION RANGE	WIRE RANGE	PART NO
THIS DRAWING IS A CONTROLLED DOCUMENT.				
DWN P FORTNEY 5/31/89		Tyco Electronics Corporation		
CHK MS FEHER 6/21/89		Harrisburg, PA 17105-3608		
APVD G YETTER 6/21/89		NAME		
PRODUCT SPEC		SPADE		
APPLICATION SPEC		SIZE CAGE CODE DRAWING NO		
WEIGHT		A3 00779 C-60445		
FINISH		RESTRICTED TO		
MATERIAL SEE TABLE		CUSTOMER DRAWING		
TIN PLATING		SCALE 6:1 SHEET 1 OF 1 REV H		

TYPE	WIDTH	STRIP LENGTH	TYPE	WIDTH	HEIGHT	WIRE
0	2.29 [.090]	4.83 [.190]	F	1.57 [.062]	1.17 [.046]	0.5mm ² [20]
					1.09 [.043]	0.3mm ² [22]
					1.02 [.040]	0.2mm ² [24]
					±.051±.002	
INSUL BARREL CRIMP			WIRE BARREL CRIMP			