

4

3

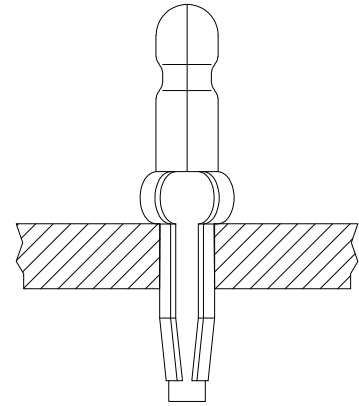
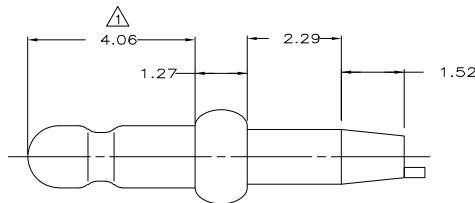
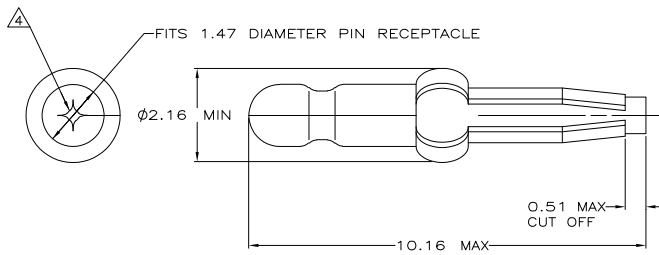
2

1

THIS DRAWING IS UNPUBLISHED. RELEASED FOR PUBLICATION.  
 © COPYRIGHT BY TYCO ELECTRONICS CORPORATION. ALL RIGHTS RESERVED.

LOC	DIST	REVISIONS				
CM	0	P	LTR	DATE	BY	APP'D
		N1	REVISED PER ECO-05-015502	07DEC05	KW	JE

- △ 0.00076 MIN GOLD PLATING IN THIS AREA WITH 0.00381 MIN MATTE TIN LEAD ON THE REMAINDER, BOTH OVER 0.00127 MIN NICKEL UNDERPLATE.
2. FITS 1.17 - 1.27 DIAMETER HOLE IN A 1.57 OR 2.39 PRINTED CIRCUIT BOARD.
3. PARTS TO COMPLY WITH AMP SOLDERABILITY SPECIFICATION 109-11-3.
- △ 0.05 - 0.25 DIAMETER OPENING REQUIRED IN TIP OF PIN.
- △ 0.00076 MIN GOLD PLATING IN THIS AREA WITH 0.00381 MIN MATTE TIN ON THE REMAINDER, BOTH OVER 0.00127 MIN NICKEL UNDERPLATE.



△	3-61067-1
△	61067-1
FINISH	PART NUMBER

0.13	.005	1.27	.050	2.29	.090	-	-
0.05	.002	1.17	.046	2.16	.085	-	-
0.00381	0.000150	1.02	.040	1.57	.062	10.16	.400
0.00127	0.000050	0.51	.020	1.52	.060	4.06	.160
0.00076	0.000030	0.25	.010	1.47	.058	2.39	.094
MM	IN	MM	IN	MM	IN	MM	IN

CONVERSION TABLE

METRIC

THIS DRAWING IS A CONTROLLED DOCUMENT.		DRN	8-22-97	Tyco Electronics Corporation	
DIMENSIONS: mm		T. BECK	8-22-97	Harrisburg, PA 17105-3608	
MATERIAL: 0.25 PH BRZ		CHK: R. SWING	8-22-97	PIN, .058 DIAMETER, PHOSPHOR BRONZE, PRESS FIT, LOOSE PIECE, P.C. CONTACT	
FINISH: SEE TABLE		APP'D: A. BEDDICK	9-10-97	RESTRICTED TO: -	
WEIGHT: -		PRODUCT SPEC: 108-1025		SCALE: 15:1 SHEET 1 of 1 REV N1	
CUSTOMER DRAWING		APPLICATION SPEC: 114-1008			
		SIZE: A2	CAGE CODE: 00779	C-61067	

AMP 1471-9 REV 31MAR2000

61067

A