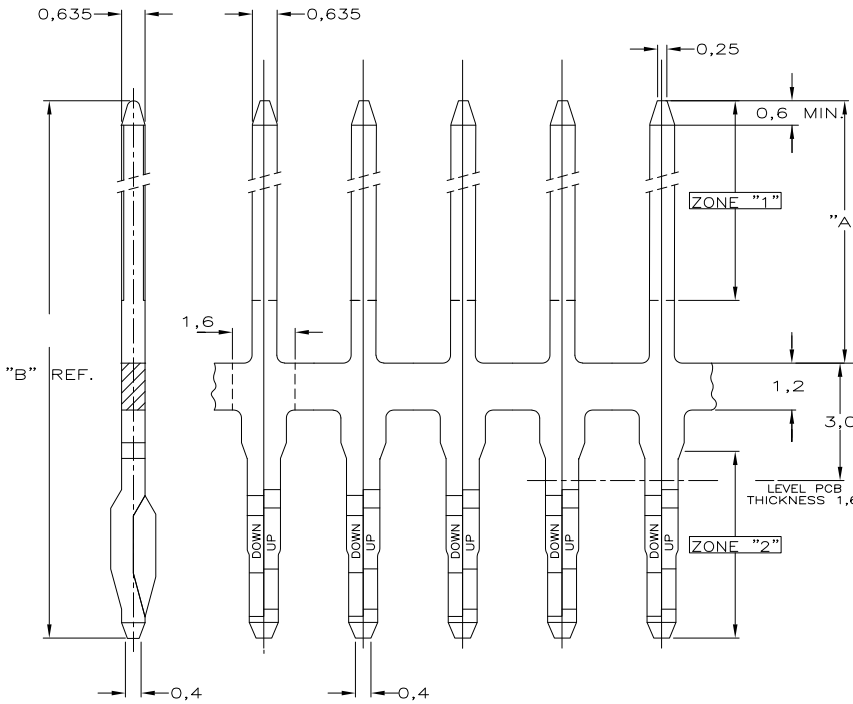
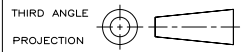


DO NOT SCALE
DIMENSIONS IN mm

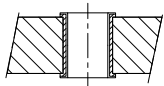
METRIC



NOTES:

- △ ZONE "1" DIMENSION = 5,0 MIN. EXCEPT FOR 1-215345-1 PLATINGZONE = 4,1 MIN.
- △ BRIGHT TIN/LEAD (93/7) PLATING ALL OVER.
- △ OBSOLETE PARTS: OBSOLETE CIS STREAMLINING PER D.RENAUD/D.SINISI

20,8	13,9	△	2,5µm SnPb		1,3-2,5 Ni	1-215345-8
20,8	13,9		UNPLATED		1,3-2,5 Ni	1-215345-7
15,7	8,8		1,3 Sn/Pb	Au FLASH	0,8Au	1,3-2,5 Ni 1-215345-6
15,7	8,8		UNPLATED	UNPLATED	UNPLATED	1,3-2,5 Ni 1-215345-5
△ 13,6	6,7	△	1,27µm SnPb		1,3-2,5 Ni	1-215345-4
17,0	10,1	△	2,5µm SnPb		1,3-2,5 Ni	1-215345-3
△ 13,6	6,7	△	1,3 Sn/Pb	Au FLASH	0,8Au	1,3-2,5 Ni 1-215345-2
12,7	5,8		1,3 Sn/Pb	Au FLASH	1,3 Au	1,3-2,5 Ni 1-215345-1
12,7	5,8		UNPLATED	UNPLATED	UNPLATED	1-215345-0
17,0	10,1		1,3 Sn/Pb	Au FLASH	0,8 Au	1,3-2,5 Ni 215345-9
13,6	6,7		1,3 Sn/Pb	0,8 Au	0,8 Au	1,3-2,5 Ni 215345-8
17,0	10,1		1,3 Sn/Pb	Au FLASH	1,3 Au	min.2,0 Ni 215345-7
13,6	6,7		1,3 Sn/Pb	Au FLASH	1,3 Au	min.2,0 Ni 215345-6
17,0	10,1		1,3 Sn/Pb	Au FLASH	1,3 Au	1,3-2,5 Ni 215345-5
17,0	10,1		UNPLATED	UNPLATED	UNPLATED	215345-4
13,6	6,7		1,3 Sn/Pb	Au FLASH	1,3 Au	1,3-2,5 Ni 215345-3
13,6	6,7		1,3 Sn/Pb	Au FLASH	0,8 Au	1,3-2,5 Ni 215345-2
13,6	6,7		UNPLATED	UNPLATED	UNPLATED	215345-1
DIM: "B"		DIM: "A"		ZONE 2		
				LAYER I		ENTIRE PARTNUMBER
				LAYER II		STRIP
				MIN. PLATING-THICKNESS IN µm		



P.C.B. HOLE DIM. ACTION PIN

DRILLED HOLE	1,15 ±0,025 mm
FIN. HOLE	0,94 to 1,09 mm
AFTER REFLOW	0,91 to 1,09 mm
Cu-thks	0,025 to 0,075 mm
SnPb-thks	0,004 to 0,010 mm

-				CUSTOMER DRAWING FOR REFERENCE ONLY WILL NOT BE UPDATED	
-				© COPYRIGHT 19 - BY AMP HOLLAND B.V.	
-				ALL INTERNATIONAL RIGHTS RESERVED. AMP PRODUCTS MAY BE COVERED BY U.S. AND FOREIGN AND/OR PATENTS PENDING.	
-				THIS DRAWING IS UNPUBLISHED RELEASED FOR PUBLICATION - ,19 -	
R1	REVISED PER ECO-09-027197	KK	AEG	10DEC09	
A	-	JvL	JvL	17-05-99	NAME
0	EH-1416-95	RDB	DC	20-NOV-95	
LTR.	REVISION RECORD	DR.	CHK.	DATE	
DR.:	R.d.B.	CHK.:	J.v.LIEMPT	APP.:	J.v.LIEMPT
DATE:	20 NOV 95	DATE:	20 NOV 95	DATE:	-
				DWG.No.	C-215345
				REV.LTR.	R1
				SHEET	1 OF 1
					A3