

4

3

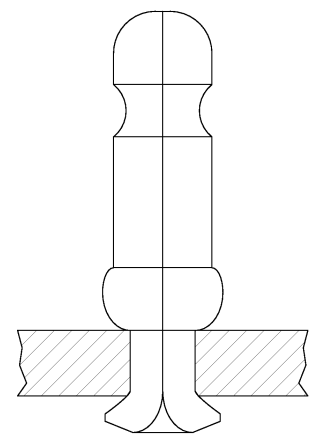
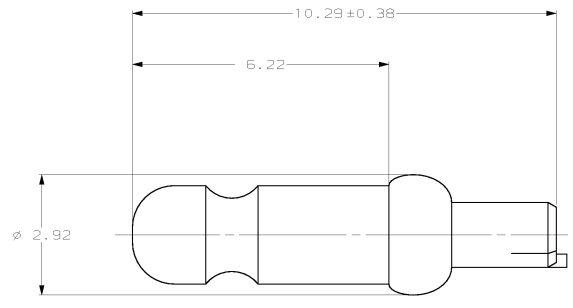
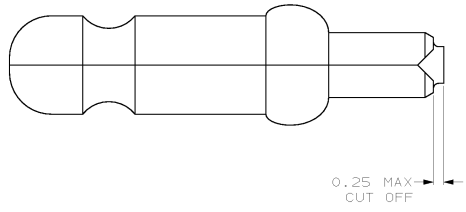
2

1

THIS DRAWING IS UNCLASSIFIED  
 RELEASED FOR PUBLICATION  
 (C) COPYRIGHT IS BY AMP INCORPORATED. ALL RIGHTS RESERVED.

REV	DATE	DESCRIPTION	DATE	BY	APP'D
CM	52				
K		REV & REDWN PER EC DL30-0176-97	8-27-97	TB	RS

1. FITS 1.70 - 1.85 DIAMETER HOLE IN A 1.57 PRINTED CIRCUIT BOARD.
2. PARTS TO COMPLY WITH AMP SOLDERABILITY SPECIFICATION 109-11-1.



350491-1  
 PART NUMBER

MM	IN	MM	IN	MM	IN	MM	IN
0.38	.015	2.34	.092	3.18	.125	-	-
0.32	.013	1.85	.073	2.92	.115	-	-
0.25	.010	1.70	.067	2.44	.096	10.29	.405
0.13	.005	1.57	.062	2.36	.093	6.22	.245

CONVERSION TABLE

**METRIC**

THIS DRAWING IS A CONTROLLED DOCUMENT		DWG. T. BECK 8-27-97 CHK. SWING 8-27-97 DES. BRIDG/CK 9-10-97 PROD. SPEC 108-1025 APPLICATION SPEC 114-1008 RET'D - MATERIAL 0.32 PH BRZ FINISH PRE TIN CUSTOMER DRAWING	<b>AMP</b> AMP Incorporated Harrisburg, PA 17105-3608 P-IN, .093 DIAMETER, PHOSPHER BRONZE, CLINCH FIT, LOOSE PIECE, P.C. CONTACT FILE CODE DRAWING NO. A200779 350491 SCALE 15:1 SHEET 1 OF 1 REV E
---------------------------------------	--	--	---

AMP 1471-9 REV 27JAN96  
 27-AUG-97 14:58:17 amp22338 /home/amp22338/junk/redaw/58p

350491