

4

3

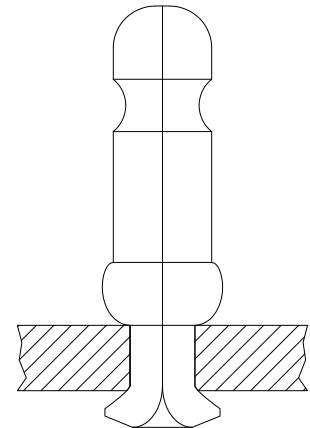
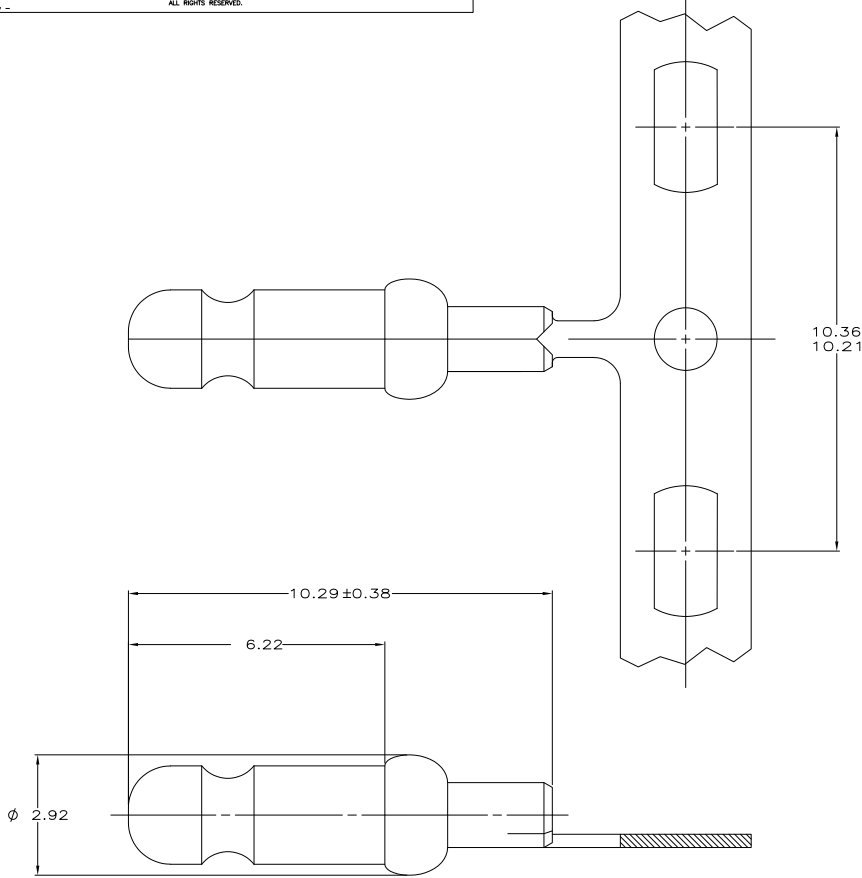
2

1

THIS DRAWING IS UNPUBLISHED. RELEASED FOR PUBLICATION.
 © COPYRIGHT - By - ALL RIGHTS RESERVED.

LOC	DIST	REVISIONS			
F	LR	DESCRIPTION	DATE	BY	APP
CM	52	M1	REVISED PER ECO-11-004820	11MAR11	RK HMR

1. FITS 1.70 - 1.85 DIAMETER HOLE IN A 1.57 PRINTED CIRCUIT BOARD.
2. PARTS TO COMPLY WITH AMP SOLDERABILITY SPECIFICATION 109-11-1.



61137-1
PART NUMBER

MM	IN	MM	IN	MM	IN	MM	IN
1.57	.062	2.36	.093	6.22	.245	-	-
0.38	.015	2.34	.092	3.18	.125	10.36	.408
0.32	.013	1.85	.073	2.92	.115	10.29	.405
0.13	.005	1.70	.067	2.44	.096	10.21	.402

CONVERSION TABLE



THIS DRAWING IS A CONTROLLED DOCUMENT.

DESIGNED BY	T. BECK	DATE	8-27-97
CHECKED BY	R. SWING	DATE	8-27-97
APPROVED BY	A. BRIDGICK	DATE	9-10-97
PRODUCT SPEC	108-1025	NAME	
APPLICATION SPEC	114-1008	SIZE	A2
WEIGHT	-	CAGE CODE (FOWING ID)	00779
MATERIAL	0.32 PH BRZ	FINISH	PRE TIN
CUSTOMER DRAWING		SCALE	15:1
		SHEET	1 of 1
		REV	M1

TE Connectivity
 PIN, .093 DIAMETER, PHOSPHOR BRONZE, CLINCH FIT, LOOSE PIECE, P.C. CONTACT

RESTRICTED TO

1471-9 (3/11)

61137

61137-1

A

RESTRICTED TO