

4

3

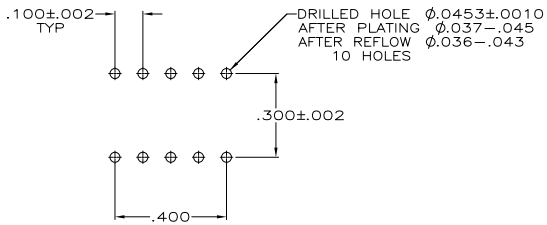
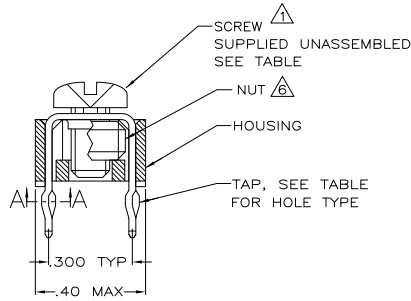
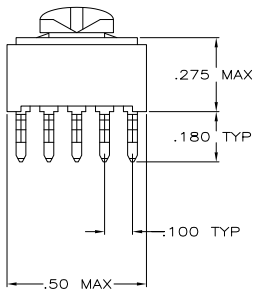
2

1

THIS DRAWING IS UNPUBLISHED. RELEASED FOR PUBLICATION
 © COPYRIGHT - By - ALL RIGHTS RESERVED.

LOC		DIBT		REVISIONS			
P	LTR	DESCRIPTION	DATE	BY	APPD		
CP	00						
	S1	REVISED PER ECO-11-004835	11MAR11	RK	HMR		

.050±.005 DIA
 SECTION A-A
 SCALE 10:1
 10 PLACES



PC BOARD PATTERN

- 1 TO PREVENT THREAD STRIPPING, SCREW TORQUE SHOULD NOT EXCEED 9 IN LBS.
- 2 TAP HOLE IS 6-32UNC-2B, TWO MIN THREADS.
- 3 TAP HOLE IS M4 X 0.7, TWO MIN THREADS.
- 4 PACKAGED BULK.
- 5 PACKAGED INDIVIDUALLY.
- 6 NUT INCREASES TORQUE VALUE TO 26 IN LBS.
- 7 HOUSING: NYLON UL 94V-0. TAP: COPPER ALLOY 735, .025 THICK.
- 8 TAP: .000150 TIN-LEAD OVER .000050 NICKEL.
- 9 CLEARANCE HOLE FOR A 6-32 SCREW.
- 10 TAP: .000150 TIN OVER .000050 NICKEL.

PACKAGE	FINISH	HOLE TYPE	HOUSING COLOR	HOUSING AND TAP ASSEMBLED	SCREW	PART NO.
			BLACK	YES		993879-1 9-55556-0
			BLACK	YES (W/NUT)	NO	1-55556-3
			BLACK	YES (W/NUT)	NO	993879-1 1-55556-2
OBSOLETE			BLACK	YES	NO	993879-1 1-55556-1
SUPSD BY -9			BLACK	YES	NO	1-55556-0
			BLACK	YES	M4 X 0.7 X 6MM	55556-9
SUPSD BY -4			WHITE	YES	993879-1	55556-8
SUPSD BY -4			GREEN	YES	993879-1	55556-7
SUPSD BY -4			BLUE	YES	993879-1	55556-6
SUPSD BY -4			RED	YES	993879-1	55556-5
			BLACK	YES	993879-1	55556-4
			BLACK	YES	NO	55556-3
			BLACK	NO	993879-1	55556-2
OBSOLETE			BLACK	NO	NO	55556-1

THIS DRAWING IS A CONTROLLED DOCUMENT.

DESIGNED BY: J. McCUNTON 1-11-08	DATE: 1-11-08	TE Connectivity
CHECKED BY: S. STONE 1-11-08	DATE: 1-11-08	
DRAWN BY: M. GALLOWAY 1-11-08	DATE: 1-11-08	NAME: TAP ASSEMBLY, POWER DISTRIBUTION
PRODUCT SPEC: 108-11030	APPLICATION SPEC: 114-1100	SIZE: A2
MATERIAL FINISH: [Symbol]	WEIGHT: [Symbol]	CAGE CODE: 00779
		DRAWING NO: C-55556
		RESTRICTED TO: [Symbol]
		CUSTOMER DRAWING
		SCALE: 4:1 SHEET: 1 of 1 REV: S1